

The warmest way to start your day.

EVERHOT HOT WATER UNITS



everhot[®]
hot water units

A quality hot water system can really make a home. And when it comes to performance, Everhot delivers. That's why so many Australian families choose our reliable systems.

Everhot offers a full choice of Gas and Electric units for mains water applications – with capacities to suit a range of family sizes and budgets. What's more, each of our hot water systems come with full warranty backing through the Reece national network.

Everhot. The warmest way to start your day.

Contents

4 Star Gas Storage	2
5 Star Gas Storage	3
Small Electric Storage	4
Large Electric Storage	5



Reece Product Quality Guarantee
For full warranty details visit www.reece.com.au

4 Star Gas Storage



7 YEAR WARRANTY



4 STAR ENERGY EFFICIENCY

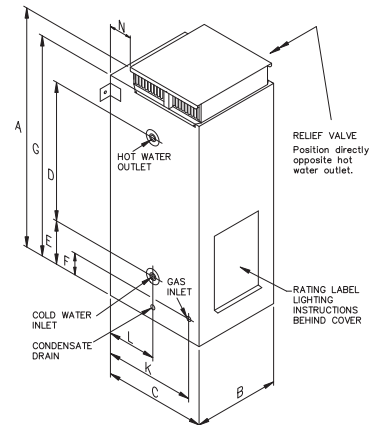


GAS



Everhot 4 Star

- 4 Star energy efficient
- Two sizes: 135L and 170L capacity
- Natural and Propane gas models (Propane in 135L only)
- Strong recovery: 113L/hour
- 248/283L first hour capacity of hot water
- Easy, fast replacement for 3 Star units – same dimensions and fittings
- 7 year cylinder warranty



SPECIFICATIONS			
AGA GAS Energy Rating		4.3 stars	4 stars
Installation		External only	External only
Suitable for no. of people			
Moderate Climate		2-4	3-5
Cool Climate		2-3	3-4
Storage Capacity	Litres	135	170
Recovery Rate @ 45°C Rise	L/hr	113	113
First Hour Capacity	Litres	248	283
Anodes		2	2
Hourly Gas Consumption			
Natural Gas	MJ	27	27
Propane	MJ	26	-
Max. Supply Pressure			
with ECV	kPa	960	960
without ECV	kPa	1120	1120
T&PR Valve Setting	kPa	1400	1400
Water Hot and Cold Connections		RP ³ / ₄ /20	RP ³ / ₄ /20
Gas Connections		RP ¹ / ₂ /15	RP ¹ / ₂ /15
Dimensions			
A	mm	1558	1858
B	mm	422	422
C	mm	502	502
D	mm	988	1213
E	mm	328	403
F	mm	298	298
G	mm	1478	1778
K	mm	473	473
L	mm	208	208
M	mm	297	297
N	mm	97	97
Approx. Weight (Empty)	kg	59	69

Warranty 7 years on cylinder, 1 year on parts and & labour

5 Star Gas Storage

Holding one of the highest energy efficiency star ratings for Gas Storage, the Everhot 5 star units not only help save the environment, they'll also save you money.



7 YEAR
QUALITY GUARANTEE



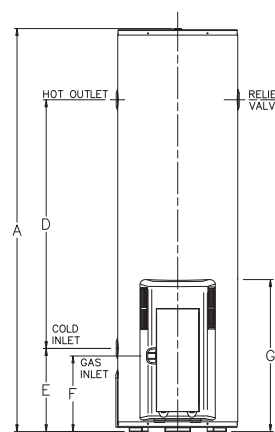
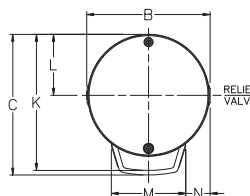
5 STAR ENERGY
EFFICIENCY



GAS

Everhot 272 & 302

- 5 Star energy efficiency
- Natural and Propane gas models (Propane in 265 only)
- Strong recovery: 142L/hour
- 272L/302L first hour capacity of hot water
- Compact - 485mm diameter for easy replacement of 3 Star gas water heaters
- 7 year cylinder warranty



SPECIFICATIONS

AGA GAS Energy Rating	5.3 stars	5.3 stars
Installation	External only	External only
Suitable for no. of people		
Moderate Climate	2-4	3-5
Cool Climate	2-3	3-4
Storage Capacity	Litres	Litres
Recovery Rate @ 45°C Rise	L/hr	L/hr
First Hour Capacity	Litres	Litres
Anodes	1	1
Hourly Gas Consumption		
Natural Gas	MJ	MJ
Propane	MJ	-
Max. Supply Pressure		
with ECV	kPa	kPa
without ECV	kPa	kPa
T&PR Valve Setting	kPa	kPa
Water Hot and Cold Connections	RP ^{3/4} /20	RP ^{3/4} /20
Gas Connections	RP ^{1/2} /15	RP ^{1/2} /15
Dimensions		
A	mm	mm
B	mm	mm
C	mm	mm
D	mm	mm
E	mm	mm
F	mm	mm
G	mm	mm
K	mm	mm
L	mm	mm
M	mm	mm
N	mm	mm
Approx. Weight (Empty)	kg	kg

Warranty 7 years on cylinder, 1 year on parts & labour

Electric Storage | Small

Everhot electric hot water heaters provide an easy option when replacing an existing electric hot water unit. Water is heated quickly providing an affordable solution for your hot water needs.

Everhot 25 - 125

- Fast, easy like-for-like replacement
- Dual handed inlet, outlet and T&PR fittings
- All models feature smaller diameters, making for an easier fit into confined spaces
- 25L & 50L models include plug-in models
- Proven reliability
- 7 year cylinder warranty, 3 years labour on cylinder



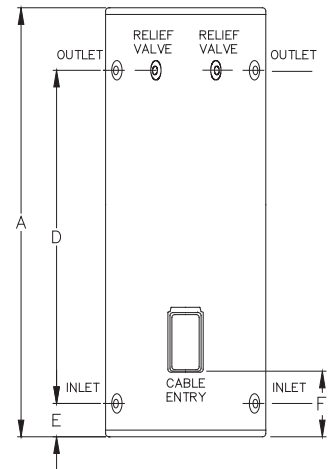
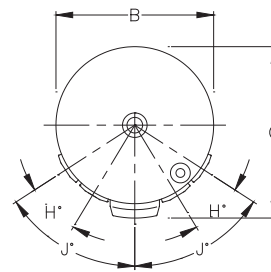
7 YEAR WARRANTY



DUAL HANDED



ELECTRIC



MODEL	DUAL HANDED SINGLE ELEMENT				
		25	50	80	125
Hot Water Delivery	Litres	18	50	80	125
kW Rating	1.8	-	-	-	✓
	2.4	✓	✓	-	-
	3.6	✓	✓	✓	✓
Relief Valve Setting	kPa	1000	1000	1000	1000
Expansion Control Valve	kPa	850	850	850	850
Max. Supply Pressure					
with ECV	kPa	680	680	680	680
without ECV	kPa	800	800	800	800
Water Connections		RP ³ / ₄ /20	RP ³ / ₄ /20	RP ³ / ₄ /20	RP ³ / ₄ /20
Dimensions					
A	mm	440	695	945	1340
B	mm	370	400	480	480
C	mm	404	436	515	515
D	mm	94	397	702	1102
E	mm	165	142	64	64
F	mm	75	80	66	66
H	degrees	29	26	24	24
J	degrees	90	59	60	60
Approx. Weight (Empty)	kg	14	29	36	49

Warranty 7 years on cylinder, 3 years labour on cylinder and 1 year components

Electric Storage | Large



Everhot 160 - 400

- Fast, easy like-for-like replacement
- Dual handed inlet and outlet fittings
- All models suit connection to concessional (off-peak) tariffs
- Proven reliability
- Made in Australia
- 7 year cylinder warranty, 3 years labour on cylinder



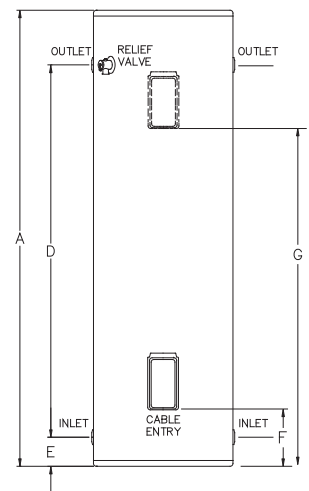
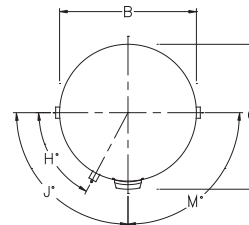
7 YEAR WARRANTY



DUAL HANDED



ELECTRIC



MODEL		DUAL HANDED SINGLE ELEMENT				DUAL HANDED TWIN ELEMENT		
		160	250	315	400	250	315	400
Hot Water Delivery	Litres	160	250	315	400	250	315	400
Boost Capacity	Litres	-	-	-	-	50	50	90
kW Rating	2.4	✓	-	-	-	-	-	-
	3.6	✓	✓	✓	-	✓	✓	-
	4.8	-	✓	✓	✓	-	✓	✓
Relief Valve Setting	kPa	1000	1000	1000	1000	1000	1000	1000
Expansion Control Valve	kPa	850	850	850	850	850	850	850
Max. Supply Pressure								
with ECV	kPa	680	680	680	680	680	680	680
without ECV	kPa	800	800	800	800	800	800	800
Water Connections		RP ³ / ₄ /20	RP ³ / ₄ /20	RP ³ / ₄ /20	RP ³ / ₄ /20	RP ³ / ₄ /20	RP ³ / ₄ /20	RP ³ / ₄ /20
Dimensions								
A	mm	1610	1395	1640	1840	1395	1640	1840
B	mm	480	640	640	690	640	640	690
C	mm	515	700	700	755	680	680	730
D	mm	1332	1117	1317	1479	1117	1317	1479
E	mm	104	73	113	121	73	113	121
F	mm	66	103	103	105	103	103	105
G	mm	-	-	-	-	1005	1255	1346
H	degrees	23	32	32	30	32	32	30
J	degrees	58	88	88	83	88	88	83
M	mm	58	92	92	97	92	92	97
Approx. Weight (Empty)	kg	55	76	97	118	75	99	118

Warranty 7 years on cylinder, 3 years labour on cylinder and 1 year components

Don't risk it, use a licensed plumber.™

Once you have chosen your new hot water system you will need a professional to install it for you. Always use a licensed plumber and electrician and ensure that your system is serviced to manufacturer instructions.

Reece. Works for you.™

Call 1800 032 566 or visit www.reece.com.au for your nearest Reece branch.

Due to limitations in the printing process the colours in this brochure are a guide only.

All products enjoy a product replacement warranty. For full warranty details visit www.reece.com.au/productquality

V9 (BROCHURE CODE 2130177)

everhot®

reece™