



ELECTRIC

50L
250L
315L

DELIVERY

1 - 6

PEOPLE

10
YEAR

CYLINDER
WARRANTY¹

Indoor/
Outdoor

INSTALLATION

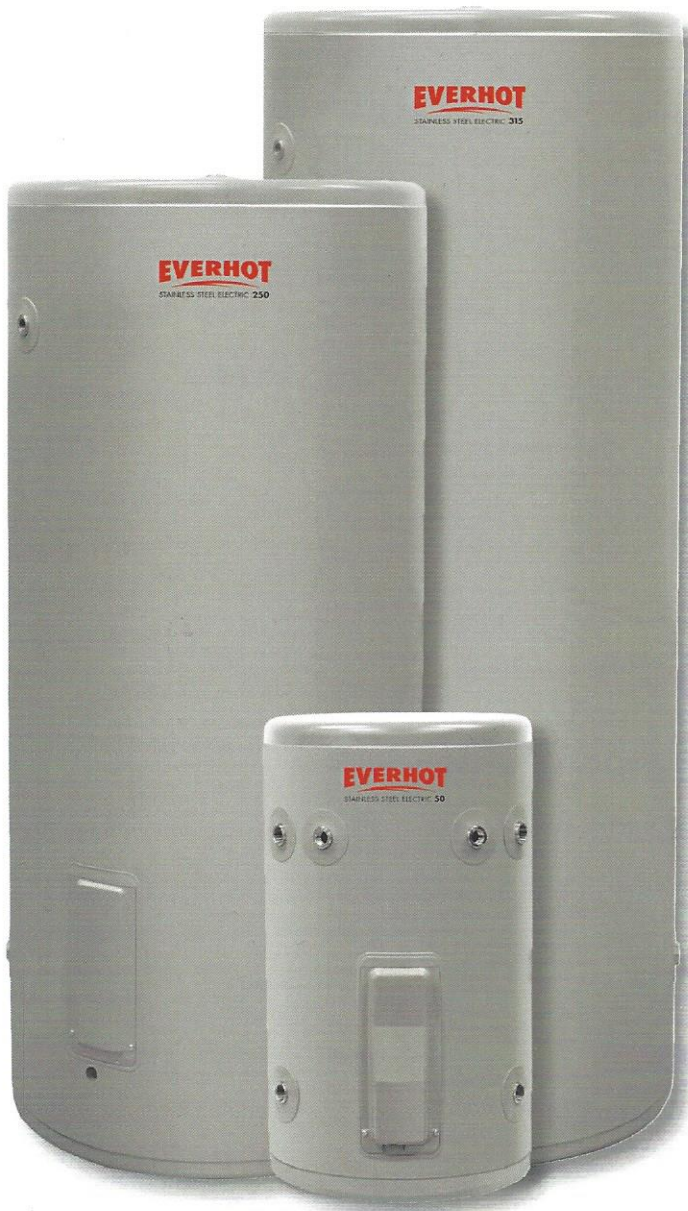
New Everhot Stainless Steel Electric water heaters offer energy efficiency, the purity of a stainless steel cylinder and reduced lifetime service costs while also being easier to install as they are much lighter than a traditional steel cylinder unit.

FEATURES

- Available in 50L, 250L and 315L capacities to suit most applications
- Up to 19% better than MEPS² reducing energy use to save you money
- Stainless steel cylinder and fittings resist corrosion for longer, extending product life
- Up to 40% lighter³ for easier handling
- No anode, to reduce lifetime maintenance costs
- Hi-temp 80°C thermostat (50L only)
- Dual handed fittings for easier installation (50L only)
- 10 Year cylinder warranty¹

WHY CHOOSE EVERHOT STAINLESS STEEL

- Made in Australia by Rheem Manufacturing
- Capacities to suit most family sizes and hot water requirements
- Mains pressure hot water delivery
- Full warranty backing through a national service network



THE STAINLESS STEEL ADVANTAGE

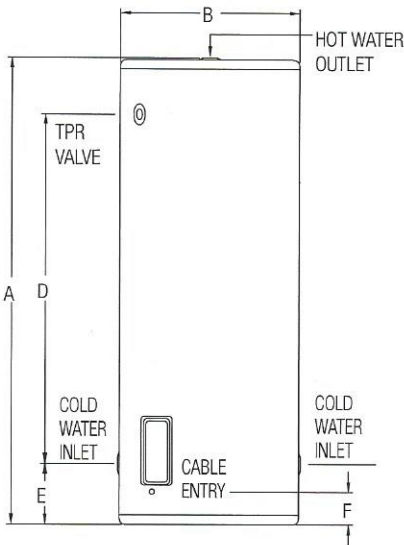
The stainless steel cylinder in these Everhot Electric models offer many benefits vs traditional vitreous enamelled steel cylinders.

- Can resist corrosion for longer than traditional steel cylinders
- No sacrificial anode, reducing lifetime service costs
- Up to 40% lighter³ than comparable size vitreous enamel steel cylinders, for easier handling and installation
- Better energy efficiency (up to 19% better than MEPS)²
- Higher temperature settings are possible, for even hotter water

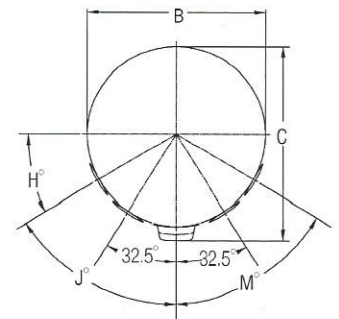
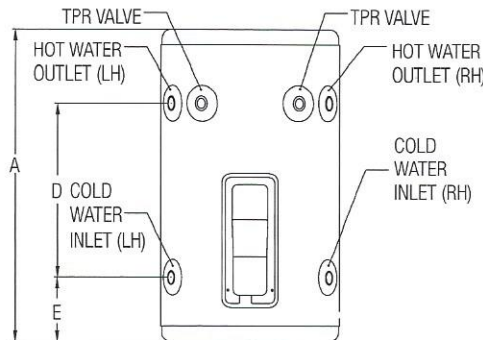
Everhot Stainless Steel water heaters are not recommended for installation in some areas.

Refer to www.reece.com.au/everhot for details of areas not recommended and where, if installed, product is not covered by warranty.

Everhot SS 250L & 315L



Everhot SS 50L



SPECIFICATIONS	50 LITRE			250 LITRE			315 LITRE		
	Model	2A1050	2A1250	2A1315					
Hot Water Delivery	Litres	50	250	315					
No. of People (moderate climate)	Continuous Tariff	1-2	3-5	4-6					
No. of People (moderate climate)	Off Peak/Night rate	N/A	1-3	2-4					
Rating		3.6 kW	3.6 kW	3.6 kW					
Maximum Supply Pressure									
	- with expansion control valve	960 kPa	680 kPa	680 kPa					
	- without expansion control valve	1120 kPa	800 kPa	800 kPa					
Temperature & Pressure Relief Valve (T&PR)		1400 kPa	1000 kPa	1000 kPa					
ECV setting		1200 kPa	850 kPa	850 kPa					
Thermostat setting (Maximum)		80°C	75°C	75°C					
Hot & Cold Water connection		Rp 20 (3/4") Female							
PTR Connections		Rp 15 (1/2") Female							
Better than MEPS by		4.8%	19%	17%					
Weight (empty)	kg	17	45	55					
Dimensions									
	A	695	1440	1760					
	B	400	625	625					
	C	432	630	630					
	D	385	990	1310					
	E	145	230	230					
	F	93	145	145					
	H	30	30	30					
	J	60	60	60					
	M	60	120	120					

Technical data is subject to change.

50L models have left and right hand (dual handed - DH) cold water connections, hot water connections, and T&PR valve fittings.

250L-315L models have left and right hand (dual handed - DH) cold water connections, a hot water connection at the top of the water heater and a T&PR valve fitting on the left hand side.

Note: Allow additional top clearance for the hot outlet fittings and pipe work.

1. Everhot Stainless Steel Warranty: 10 Year cylinder warranty, 1 Year parts and labour on all other components for domestic (non-commercial) installations. Condition apply. See the Everhot warranty set out in the Owner's Guide and Installation Instructions or view online at www.reece.com.au/plumbing/products/hotwaterunits/everhot

2. Minimum Energy Performance Standard (MEPS) is a regulated requirement that electric water heaters sold in Australia must meet. Everhot Stainless Steel models perform up to 19% better than MEPS requirement. Performance varies by model, refer to Specification Table for individual models' performance.

3. Up to 40% lighter than comparable Everhot vitreous enamel water heater models of same capacity

