



Australia's favourite
name in hot water



Rheem Domestic Hot Water

COMES ON STEADY, HOT AND STRONG

INSTALL A



CONTENTS

- 4. Rheem Electric Storage Hot Water
- 6. Rheem Gas Storage Hot Water
- 8. Rheem Continuous Flow Gas Hot Water
- 10. Rheem Solar Hot Water
- 12. Rheem Heat Pump Hot Water
- 14. Product Data

Rheem Australia Pty Ltd

ABN 21 098 823 511

Head Office

1 Alan Street
Rydalmere NSW 2116
Australia

PO Box 7508
Silverwater NSW 2128
Australia

National Sales Phone: 132 552

National Service Phone: 131 031

www.rheem.com.au

© Registered Trademark of Rheem Australia Pty Ltd
TM Trademark of Rheem Australia Pty Ltd

RHEEM IS AUSTRALIA'S FAVOURITE NAME IN HOT WATER AND THE NAME AUSTRALIANS HAVE TRUSTED FOR GENERATIONS

YOU'LL BE RIGHT WITH RHEEM

No.1 with Australian families. Rheem is Australia's favourite hot water system... and it's been that way since 1939, when Rheem started making water heaters in Australia. Generations of Australian families have relied on Rheem for water that comes on steady, hot and strong!

RHEEM IS EVERYWHERE

There is an unequalled network of experienced Rheem service agents across the country. No matter where you are in Australia there is expert advice available to ensure that you get the Rheem solution that is right for you.

WE HAVE THE RIGHT RHEEM FOR YOU

Rheem has the most extensive range of hot water systems available in Australia. Solar, gas or electric storage. Continuous flow or heat pump. Energy efficient and stainless steel options. Rheem has a range of capacities to suit your requirements and your budget.

Solar, gas or electric.
Continuous flow, heat pump
or storage. Rheem has a
range of hot water solutions
for every situation.



CHOOSING THE RIGHT CAPACITY RHEEM FOR YOUR HOME

Many households change over time, so it's important to choose the right capacity to meet your needs both now and as your family grows.

Factors to consider in determining your hot water needs:

- Number of bathrooms or people using hot water at the same time.
- Adults and children in the home (teenagers will use more hot water than young children).
- Dishwashers or washing machines connected to hot water outlets, that may use hot water at the same time.
- Will a large bathtub or spa-bath be used regularly?
- Space available to install a water heater
- Available energy supplies - gas or electricity

Your hot water system needs will be influenced by the water conditions, climate and water pressure in your region, as well as the available energy supply (gas or electricity) and space available at your home.

RHEEM ELECTRIC STORAGE HOT WATER



MAINS PRESSURE HOT WATER

Rheem electric storage water heaters store hot water in the tank ready for immediate use. These products rely on an electric element(s), which is controlled by a thermostat, to heat water.

Larger model Rheem electric water heaters are ideal for use with low cost off-peak electricity, and are available in a range of capacities to suit most needs.

The mains pressure advantage ensures full pressure to multiple outlets all at the same time.

Electric storage systems are a relatively inexpensive and reliable solution to your hot water needs.

WHY RHEEM ELECTRIC STORAGE?

Designed for Australia's tough conditions, using over 75 years of experience manufacturing in Australia.

Includes models suitable for connection to economical 'off peak', 'time of use' or continuous electricity tariffs.

Sizes to suit every family and hot water requirement from 25L to 400L.

Mains Pressure water delivery for steady, hot and strong hot water.

Indoor or outdoor use (excludes plug-in models)

Full technical support and spare parts available through Rheem's National Service Network.

7 or 10 year cylinder warranty models available.^{1,2,3}

All Rheem electric water heaters are made in a wholly owned and operated Rheem facility.

OFF-PEAK OR CONTINUOUS ELECTRICITY?

Off-peak tariffs offer lower cost electricity that is only available during specific times, typically during the night or outside peak usage periods. These tariffs normally reserved for larger water heater models that provide enough stored hot water for daily use. Generally, two types of off peak tariffs are available.

8 Hour night rate – 250L - 400L (lowest rate available) and 16 hour 'extended' rate – 160L - 400L

'Time of Use' (TOU) tariffs provide power to the water heater

24 hours per day, but different rates apply at different times of day i.e. rates are higher for using electricity during peak hours, and less for electricity used during the 'Shoulder period' and overnight. Water heaters connected to TOU tariff should use a timer ensuring operation during the lowest cost heating periods.

Continuous tariff electricity makes power available to heat the water 24 hours per day. A smaller tank can often be used on this tariff but the running costs will be higher. The price is typically a flat rate.

Compare various water heater running costs online at www.rheem.com.au/RunningCostCalculator or speak to your energy retailer for tariff details.

Model (Litres) Single Element	PPH* - Off peak tariff	PPH* - Continuous/ Time of use tariff***
25	-	-
50	-	1
80	-	1-2
125	-	2-3
160	-	2-4
250	1-3	3-5
315	2-4	4-6
400	4-6	5-9
Model (Litres) Twin Element	PPH* - Off peak tariff	PPH* - Continuous/ Time of use tariff***
160	1-3	2-4
250	2-3	3-5
315	3-4	4-6
400	4-7	5-9

* People per household

*** PPH supplied under 'Time of use' tariff conditions is equivalent to continuous tariff, provided the power supply is unrestricted.



Model Number:
4A1 Series

RHEEM STELLAR® ELECTRIC STAINLESS STEEL

- Available in 50L - 315L models
- Up to 24% better than MEPS⁴ reduces energy use, saving you money
- Stainless steel cylinder & water fittings
- Up to 42% lighter⁵ for easier handling and installation
- No anode - saves on maintenance costs
- Mains pressure
- Manufactured in Australia
- 10 year cylinder warranty³



Model Number:
491/492 Series

NEW RHEEM 491/492 SERIES

- Available in 250L - 400L models
- Easy retrofit - identical footprint & plumbing connections to previous series models
- Dual handed fittings
- Suit lower cost tariffs
- Commercial grade enamel
- Thicker sacrificial anodes
- Twin element models available
- Manufactured in Australia
- 10 year cylinder warranty²



Model Number:
191 Series

RHEEM 191/192 SERIES[†]

- Available in 25L, 50L, 80L, 125L & 160L capacities
- Dual handed fittings[†]
- Front oriented fittings for easier access
- 25L & 50L models are the smallest in their class
- 7 year cylinder warranty¹

[†]25L (111025) models have left hand connections only.



Model Number:
121 Series

RHEEMPLUS® ELECTRIC

- 50°C pre-tempered model
- Adjustable valve to deliver 50°C at the tap.
- Available in 125L, 250L & 315L capacities
- Complies with the tempering requirement of AS/NZS 3500.4
- Left hand connection
- Manufactured in Australia
- 7 year cylinder warranty¹

RHEEM COMPACT 45L

- The Most Compact available in the over-40L capacity range
- Just 668mm HIGH (including anode cap)
- Smallest Diameter on the market – 393mm
- 45L Delivery^{**}
- Dual Handed – easier to install
- Recessed Plug Fittings
- 7 year cylinder warranty¹

^{**} Rated hot water delivery is 40L in accordance with AS/NZS4692.1. Actual delivery is 45L when tested to AS/NZS4692.1.



Model Number:
191045



RHEEM GAS STORAGE HOT WATER



MAINS PRESSURE HOT WATER WHEN YOU NEED IT

Mains pressure gas storage water heaters deliver hot water instantly, as they keep a generous quantity stored hot and ready for your use. As they are at mains pressure, you can be sure of a strong flow of hot water, and the ability to service multiple showers or hot water needs at once. A choice of 4 and 5 Star models, in a range of capacities means there is a model for every budget and family. And should you ever run short, Rheem's high recovery models will have you back in hot water fast.

WHY RHEEM GAS STORAGE?

5 Star energy rating models save you money.

Designed for Australia's tough conditions, using 70 years of experience in Australia.

5, 7 or 10 year cylinder warranty models available.^{8, 9, 10.}

Capacities to suit most family sizes and hot water requirement, starting from 90 Litres.

Fast hot water recovery of up to 200 Litres per hour available.⁶

High recovery Rheem Stellar models for high-demand installations.

Mains pressure water delivery for steady, hot and strong hot water.

Indoor models also available.

The ability to service multiple uses at once without losing hot water pressure.

Full technical support through Rheem's National Service Network.

Available in natural gas or propane models

FACTORS TO CONSIDER:

Purchase, Installation and Running costs:

- Gas Storage systems are a relatively inexpensive solution to your hot water needs. There is a Rheem model to suit just about every budget. If replacing an existing gas unit, there is probably a Rheem model which can simply be installed in the same space.
- Higher efficiency Gas Storage water heaters cost less to run. As a guide, every extra energy-rating star represents approx 7% less gas usage, which means savings in energy bills.

Capacity:

- Gas Storage water heaters are rated by their storage capacity and also their "recovery rate". This is the quantity that can be fully reheated in one hour; the higher this rate the faster you can be back in hot water.

RHEEM STELLAR®	850330	850360	
Number of People			
Moderate Climate	2-5	3-6	
Cool Climate	2-4	3-5	
RHEEM 5 STAR	350265 & 354265		350295 & 354295
Number of People			
Moderate Climate	2-4	3-5	
Cool Climate	2-3	3-4	
RHEEM 4 STAR	34790	347135	347170
Number of People			
Moderate Climate	1-3	2-4	3-5
Cool Climate	1-2	2-3	3-4
RHEEM INDOOR	300135		300170
Number of People			
Moderate Climate	2-4	3-5	
Cool Climate	2-3	3-4	



Model Number:
8A0330

RHEEM STELLAR® 330 STAINLESS STEEL

- 5 Star energy efficiency
- Stainless steel cylinder
- 185L/hour hot water recovery⁶
- Up to 50L/hour additional hot water delivery (at 65°C) via the inbuilt adjustable mixing valve⁷
- Mains pressure to many taps at once
- Big enough for the largest family
- Manufactured in Australia
- 10 year cylinder warranty¹¹



Model Number:
850 Series

RHEEM STELLAR®

- 5 Star energy efficiency
- High recovery 200L/hour of hot water⁶
- Mains pressure to many taps at once
- 330L or 360L first hour capacity of hot water⁶
- Modern design to complement any home
- Manufactured in Australia
- 10 year cylinder warranty¹⁰



Model Number:
350/354 Series

RHEEM 5 STAR

- 5 Star energy efficiency
- Mains pressure to multiple taps
- Strong recovery
- 275L or 305L first hour capacity of hot water⁶
- Manufactured in Australia
- 7 year cylinder warranty⁹

RHEEMPLUS®

- 50°C temperature limited models
- No tempering valve required¹²
- Adjustable to deliver 50°C at the first outlet (complying with AS 3498)



Model Number:
347 Series

RHEEM 4 STAR

- 90L, 135L and 170L capacities
- 4 Star energy efficiency
- Mains pressure
- Hi-temp thermostat, so you need less hot water^{††}
- Manufactured in Australia
- 7 year cylinder warranty⁹

††Based on the most common temperature 43°C shower through a 9 litre/minute showerhead mixing with cold water at 10°C Rheem 4 star 347 Series with thermostat set at 73°C delivers 15-20% more continual shower time than the Rheem 3 Star 311 Series with thermostat set at 65°C.



Model Number:
300 Series

RHEEM INDOOR

- 135L and 170L capacities
- Mains pressure
- Manufactured in Australia
- 5 year cylinder warranty⁸



RHEEM CONTINUOUS FLOW GAS HOT WATER



CONTINUOUS HOT WATER WHEN YOU NEED IT

Continuous Flow gas water heaters deliver hot water that will never run out because they heat water when you need it, for as long as you need it. Continuous Flow water heaters work differently from storage water heaters, only heating on demand rather than heating and storing water until needed. Mounted to the wall and taking up less space, they are ideal for a compact home site or apartment.

6 Star energy efficient
Rheem Continuous Flow
for hot water that never
runs out.



CHOOSING THE RIGHT CAPACITY RHEEM FOR YOUR HOME

Your Rheem will be serving you for many years so it's important to choose the right capacity to meet your needs both now and as your family grows.

Factors to consider in determining your hot water needs:

- Number of bathrooms or people using hot water at once.
- Adults and children in the home (teenagers will use more hot water than young children).
- Dishwashers or washing machines connected, that use hot water at the same time.
- Will a large bathtub or spa-tub be filled using hot water?
- Your needs may also depend on the climate and water pressure. The following guide can assist you in selecting the right Rheem Continuous Flow model for your home.

Model	Rheem 12	Rheem 16	Rheem 18	Rheem 20	Rheem 24	Rheem 27
Hot Water Flow Rate (at 25°C Temp Rise) ¹¹	12L/Min	16L/Min	18L/Min	20L/Min	24L/Min	27L/Min
No. of Bathrooms Moderate Climate	1	1.5	1.5	2.2	2.5	3
Cool Climate	1	1	1	1.5	2	2.5



WHY RHEEM CONTINUOUS FLOW?

Sizes to suit every home, apartment or family – 12L, 16L, 18L, 20L, 24L and 27L/minute capacities.¹³

6 Star and better energy rating to save money and the environment.

Designed for Australia's tough conditions, combining international expertise with over 70 years of experience in Australia.

10 year heat exchanger warranty.¹⁵

Flamesafe® overheat protection, which automatically shuts down your heater should it overheat.

Rheem EZ LINK® delivers up to 54L/minute by linking 2 Rheem units to act as one, thereby doubling capacity.¹³

Rheem Q Factor™ for rapid hot water every time, without the fluctuation when multiple taps demand hot water, which can occur with some Continuous Flow units.

Family safety with electronic control for accurate and reliable water temperature, reducing the risk of scalding.

Electronic Remote Temperature Controllers for accurate setting of the ideal and safest temperature.

Solar ready Rheem 70°C capable models are compatible with solar systems without the need for special fittings.¹⁷

Factory pre-set 50°C models available, requiring no tempering valve.¹⁴

Full technical support through Rheem's National Service Network.

Compact size for flexibility in design to suit every installation.

Available to suit either Natural Gas or Propane

Internal 27L model available, with matched flue system.

WITH RHEEM YOU'RE IN CONTROL

Rheem delivers added safety by putting you in control of the hot water in your home.

Rheem Standard and Deluxe Electronic Temperature Controllers are optional on all models, allowing you to choose the exact temperature you need and to guard against scalding. Rheem Bathroom Controllers can be set up to 50°C. Deluxe Controllers also offer a "bath fill" mode, to turn off the water flow once the bath is filled.



Model Number:
874627

DESIGNED TO DISAPPEAR

Your Rheem Continuous Flow water heater can be neatly hidden away to save even more space:

Pipe covers in matching colour will conceal pipework.

Recess boxes will set your Rheem into the wall.

RHEEM SOLAR HOT WATER



SOLAR THAT SAVES

WHY RHEEM SOLAR

Energy efficient – can save up to 65% to 70% of water heating energy consumption.¹⁸

Reduces carbon emissions – solar systems can save up to 2.0 to 2.9 tonnes of greenhouse gas emissions every year.²¹

Minimise reliance on fossil fuels and protect yourself against future energy cost increases – take advantage of Australia's abundant supply of sunlight, and reduce your reliance on expensive, non-renewable gas and electricity.²²

Complete range – the Rheem solar range includes both split, ground mounted systems and complete roof mounted models in a variety of capacities from 160 – 410 litres.

All weather protection – Rheem Premier® Loline series feature unique, drain-back heat exchange technology, that prevents the solar system from freezing, or overheating during weather extremes.

Booster options – Rheem solar systems are available with electric or gas boosting, providing hot water during cloudy or rainy weather.

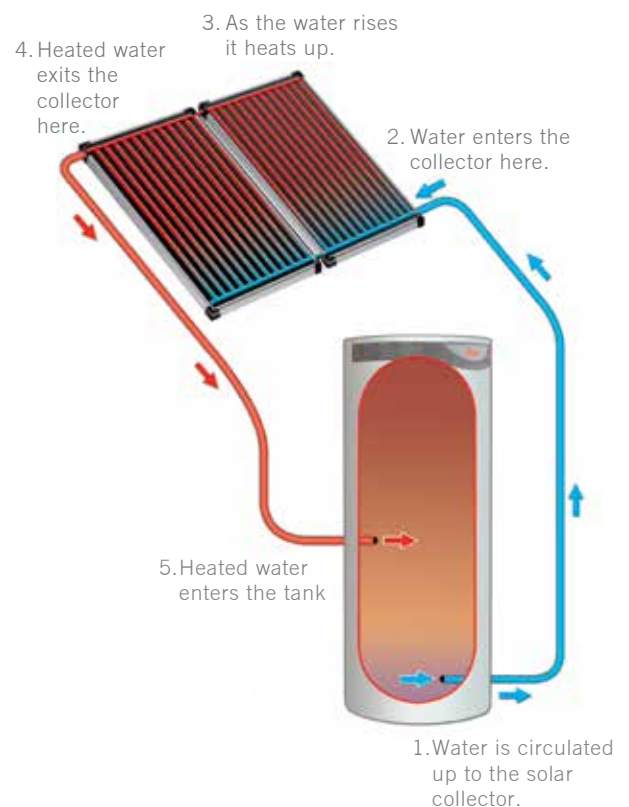
Eligible for financial benefits – A STCs financial benefit is available for installing solar water heating.²³

Visit www.rheem.com.au/rebates to find out how many STCs apply to Rheem solar water heaters by zone and to download the Rheem STC Assignment form.



HOW SOLAR WORKS

Solar water heaters work by absorbing energy from the sun's rays in the roof mounted solar collectors and transferring this to heat water stored in the tank. Ground mounted direct systems rely on an inbuilt circulator to push the water through the system, whereas roof mounted systems rely on a natural 'thermosiphon' effect. Water passes through the solar collector where it is heated, then moves out of the collector and into the tank. The tank gradually gets hotter until the water reaches its maximum stored temperature. Indirect systems use a special heating fluid, rather than water to absorb heat from the collectors. The heat is transferred to the water in the tank via a heat exchanger.





GROUND MOUNTED SYSTEMS



Model Number:
591270/2S

PREMIER LOLINE (Electric boosted)

- Indirect design with complete frost protection - ideal for even the coldest of climates.
- Features drain-back heat exchange technology, to maximise solar gain and protect against weather extremes
- Electric boost
- The split design reduces the structural load on your roof.



Model Number:
596270/2S

PREMIER LOLINE (Gas boosted)

- Indirect design with complete frost protection - ideal for even the coldest of climates.
- Integrated or remote continuous flow gas booster provides backup during periods of low or no solar gain.
- The split design reduces the structural load on your roof.



Model Number:
511325/2NPT

LOLINE

- The multi-riser solar collectors efficiently absorb energy from the sun.
- Economical to purchase.
- Automatic, electronic controls maximise solar gain.
- Suitable with NPT or LCS collector

ROOF MOUNTED SYSTEMS



Model Number:
52H300/2S

PREMIER HILINE

- Features an indirect heat exchange design, providing reliable operation in any climate.
- Lightweight and durable stainless steel tank cylinder (52H Series).
- Space saving roof mounted installation.
- Suitable for use in areas subject to freezing conditions.
- Suitable for use with a wide range of water chemistries (52C Series)



Model Number:
52S300/2NPT

HILINE®

- Ideally suited to warmer climates.
- Does not require pumps and controllers.
- Relies on water moving through the solar collectors and into the tank using energy absorbed from the sun.

SMALL-SCALE TECHNOLOGY CERTIFICATES

Small-scale Technology Certificates (STCs) provide a financial benefit to encourage the installation of solar water heaters provided under a Federal Government legislated scheme. STCs are available for eligible solar water heater installations.

One STC is equivalent to a megawatt hour per year (MWh/yr) of electricity displaced by an eligible system.

To find out more about eligibility criteria visit www.rheem.com.au/rebates

RHEEM HEAT PUMP HOT WATER



NEXT GENERATION SOLAR

Traditionally solar water heaters have proven themselves to be an energy efficient renewable water heating alternative to gas and electric systems. And while solar systems continue to be an efficient way to heat water, new heat pump water heating technology saves equivalent amounts of energy and green house gas emissions to electric boosted solar systems.

Works day and night,
as they don't rely on
daylight to operate.

WHY RHEEM HEAT PUMP?

Energy efficient – cuts energy use and greenhouse gas emissions by up to 64%.²⁶

No solar collectors – reduces structural load on your roof, and can be used where roof collectors aren't suitable.

Replacement for electric water heaters – uses the same plumbing and electrical connections as an electric water heater, making it an ideal upgrade from a standard electric water heater.

2 piece design – results in a reduced handling weight, making it easy to deliver and install on site.

Back up element fitted in every model – delivers hot water even on the coldest of winter nights.

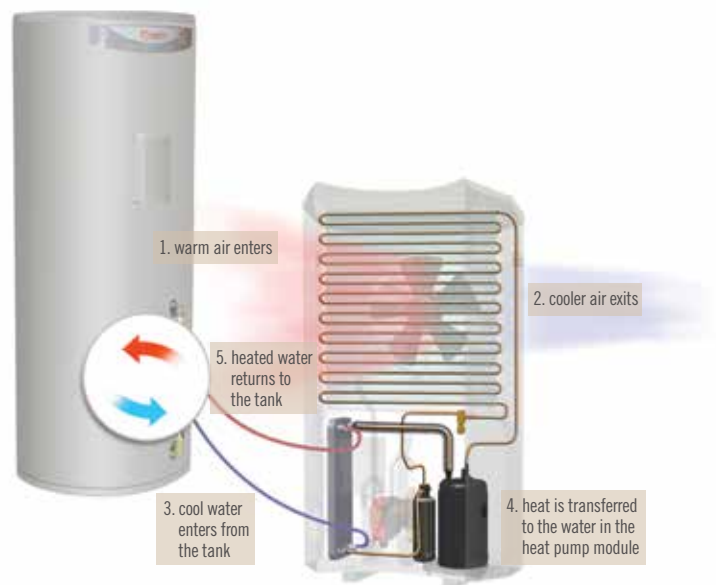
Eligible for incentives – Rheem Heat Pumps are eligible to receive Small-scale Technology Certificates (STCs).²⁷

When suitable, product can be connected to lower cost tariffs – which helps to further reduce running costs.^{24, 28}

5 year cylinder warranty & 2 years on the sealed system.²⁵

HOW A HEAT PUMP WORKS

Rheem Heat Pumps deliver hot water by efficiently utilising a free and abundant source of energy – the heat that is in the air around us. Refrigerant vapour compression technology enables the heat pump to intensify this heat, which is used to produce hot water. Rheem Heat Pumps are more efficient during warmer months, and will operate for less hours during the day than in colder months of the year. See illustration below.



When power is available, the Heat Pump heating cycle will continue until the tank is full of hot water.



SOLAR



2-6
PEOPLE



310-325
LITRE
CAPACITY



5
YEAR
CYLINDER
WARRANTY^{AS}



THE RIGHT RHEEM FOR YOU



Model Number:
551325

MPI-Series II

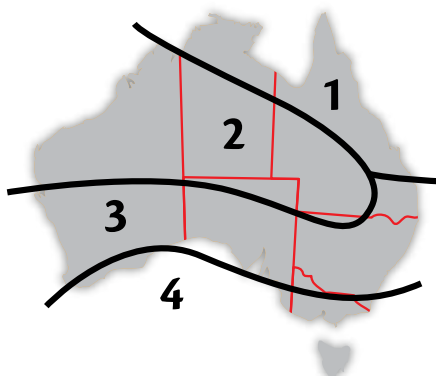
- Ideal upgrade for an electric storage water heater, featuring common plumbing and electrical connections.
- Can connect to economical extended off-peak tariffs for maximum savings on running costs.
- Whisper technology enables quieter operation.
- Heat Pump module is located well below the fence line, which keeps noise away from windows.
- Two piece interconnecting design allows for easy one-man installation.
- Suitable for warm and tropical climates.
- Available in RheemPlus® 50°C temperature models.



Model Number:
551310

HDi-310

- Heavy duty model
- Top Down Heating delivers 60°C hot water, fast.
- High heating power means fast recovery to provide all the hot water you'll need.
- Interconnecting design fits onto a standard outdoor electric water heater footprint.
- Suitable for cold climates.
Please note Rheem does not recommend installation in Zone 5.
- LEDs to indicate operating status



SMALL-SCALE TECHNOLOGY CERTIFICATES

Small-scale Technology Certificates (STCs) provide a financial benefit to encourage the installation of solar and heat pump water heaters through a Federal Government legislated scheme.

This map shows the climate Zones within Australia which will define the number of STCs allocated to an eligible solar and heat pump water heater.

As of the 1st of November 2012, Zone 5 was added to the list of Zones eligible to create STC's for an eligible Air Sourced Heat Pump. Visit <http://ret.cleanenergyregulator.gov.au> for a list of postcodes by Zone, including zone 5.

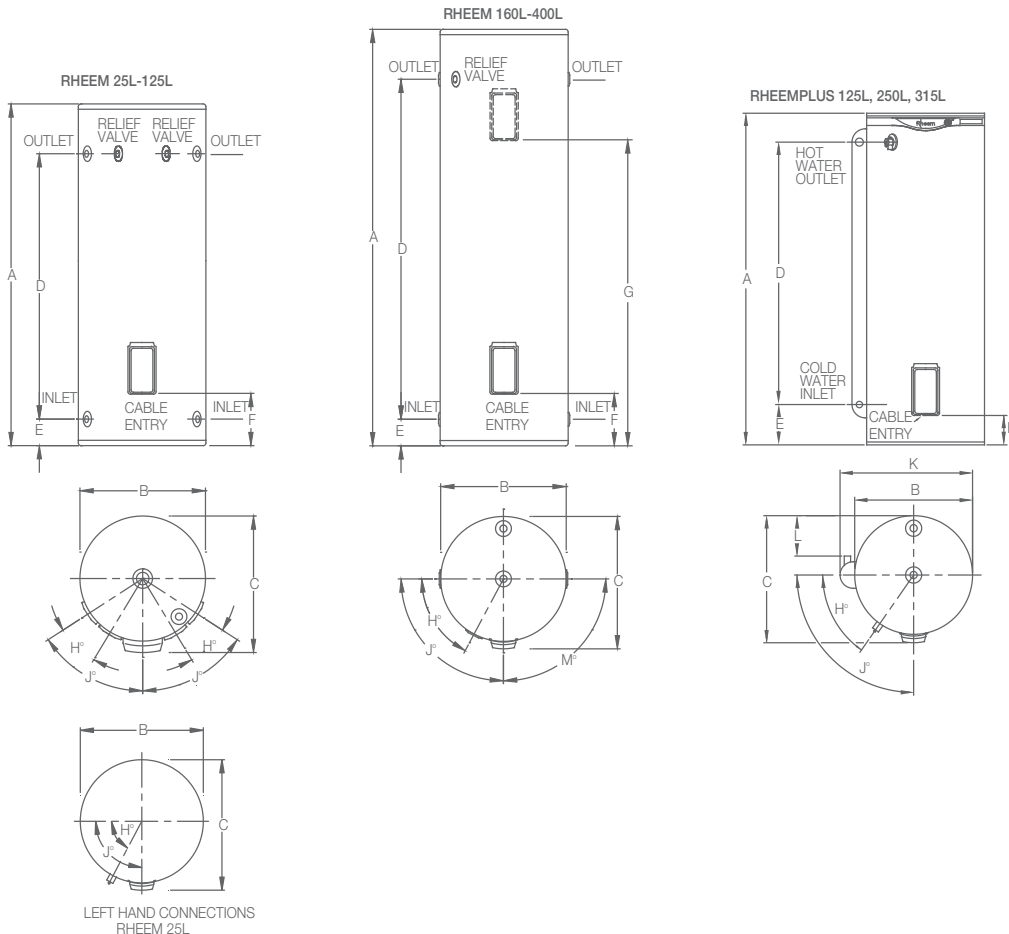
To claim your STC entitlement, simply complete the STC Assignment form and attach the necessary documentation. Visit www.rheem.com.au/rebates to find out how many STCs apply to Rheem Solar Water Heaters and Heat Pumps by zone and to download the Rheem STC Assignment form.

RHEEM ELECTRIC STORAGE PRODUCT DATA



		Warranty				Model					
		25	45	50	80	125	160	250	315	400	
Rheem 191 Series Single Element	7 years ¹	111025 111025/P	191045	191050 191050/P	191080	191125	191160	–	–	–	
Rheem 192 Series Twin Element	7 years ¹	–	–	–	–	–	192160	–	–	–	
Rheem 491 Series Single Element	10 years ²	–	–	–	–	–	–	491250	491315	491400	
Rheem 492 Series Twin Element	10 years ²	–	–	–	–	–	–	492250	492315	492400	
RheemPlus® Single Element	7 years ¹	–	–	–	–	121125	–	121250	121315	–	
Hot Water Delivery	Litres	18	45**	50	80	125	160	250	315	400	
Storage Capacity	Litres	25	49	53	90	135	165	270	324	412	
Boost Capacity Twin Element		–	–	–	–	–	45	50	50	90	
Dimensions	A	mm	390	668	695	945	1340	1610	1395	1640	1840
	B	mm	385	393	400*	480	480	480	640	640	690
	C	mm	420	429	436	515	515	515	680	680	735
	D	mm	130	346	397	702	1102	1332	1117	1317	1479
	E	mm	116	142	142	64	64	104	73	113	121
	F	mm	75	80	80	66	66	66	103	103	105
	G	mm	–	–	–	–	–	1081	988	1228	1323
	H	deg	26	26	26	24	24	23	32	32	30
	J	deg	65	59	59	60	60	58	88	88	83
	K	mm	–	–	–	–	545	–	705	705	–
	L	mm	–	–	–	–	183	183	262	262	–
M	deg	–	–	–	–	–	58	92	92	97	
Approx. Weight Empty	Kg	18	22	29	36	49	55	76	97	118	

Rheem 111025,121 Series RheemPlus® models have left hand connections only.
191, 192, 491 & 492 Series Rheem models have left and right hand connections and are available in Litre delivery capacity only.
160 to 400 models have TPR valve fitting on the left hand side only.
** Rated hot water delivery is 40L in accordance with AS/NZS 4692.1. Actual hot water delivery is 45L when tested for AS1056.1
Technical data is subject to change.

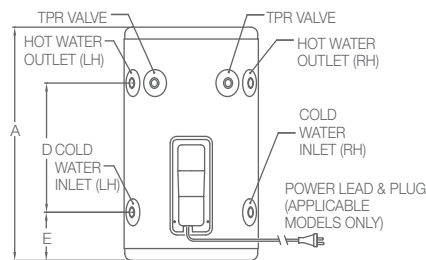


RHEEM ELECTRIC STORAGE STELLAR STAINLESS STEEL

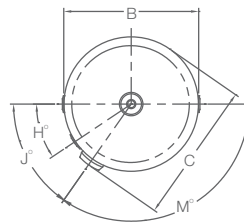
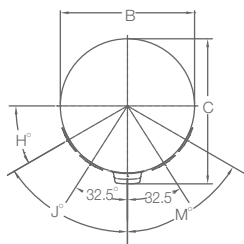
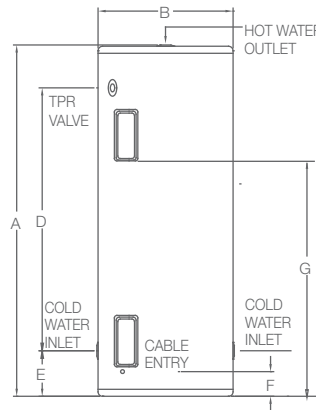
		Warranty ³		Model				
Rheem Stellar® Stainless Steel			50	80	125	160	250	315
Single Element		10 years	4A1050	4A1080	4A1125	4A1160	4A1250	4A1315
Twin Element		10 years					4A2250	4A2315
Hot Water Delivery	Litres		50	80	125	160	250	315
Storage Capacity	Litres		54	80	135	165	270	324
Boost Capacity Twin Element			–	–	–		52	62
Better than MEPs by			4.8%	24%	17%	12%	19%	17%
Dimensions	A	mm	695	885	1295	1615	1440	1760
	B	mm	400	490	490	490	620	620
	C	mm	432	500	500	500	630	630
	D	mm	385	510	920	1240	990	1310
	E	mm	145	185	185	185	230	230
	F	mm	83	120	110	110	145	145
	G	mm	–	–	–	–	939	1207
H	deg	30	25	25	25	30	30	
J	deg	60	55	55	55	60	60	
M	mm	–	125	125	125	120	120	
Approx. Weight Empty		Kg	17	25	30	40	45	55

Technical data is subject to change.

STELLAR STAINLESS STEEL 50L



STELLAR STAINLESS STEEL 80L - 315L



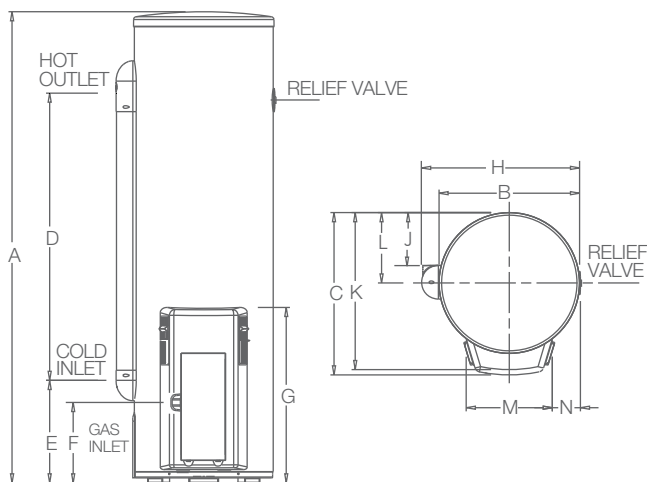
Warranty, terms and conditions

- Warranty: 7 year cylinder warranty, 3 year labour warranty on the cylinder, 1 year parts and labour warranty on all other components for domestic (non-commercial) installations. 7 year warranty applies to product manufactured after 1/1/2012. Conditions apply, see the Rheem warranty set out in the product's Owner's Guide or view it at www.rheem.com.au/warranty
- Warranty: 10 year cylinder warranty, 3 year labour warranty on the cylinder, 1 year parts and labour warranty on all other components for domestic (non-commercial) installations. Conditions apply, see the Rheem warranty set out in the product's Owner's Guide or view it at www.rheem.com.au/warranty
- Warranty: 10 year cylinder warranty, 1 year labour warranty on the cylinder, 1 year parts and labour warranty on all other components for domestic (non-commercial) installations. Conditions apply, see the Rheem warranty set out in the product's Owner's Guide or view it at www.rheem.com.au/warranty
- Performance varies by model. Refer to the Specification table for individual model performance.
- Up to 42% lighter than comparable Rheem vitreous enamel water heater models of the same capacity.

RHEEM GAS STORAGE PRODUCT DATA



	Rheem 4 Star			Rheem 5 Star		Rheem Stellar®			Rheem Indoor	
	90	135	170	265	295	330	360	330 SS	135	170
Model Number	347090	347135	347170	350265	350295	850330	850360	8A0330	300135	300170
RheemPlus®	-	-	-	354265	354295	-	-	-	-	-
Number of People:										
Moderate Climate	1-3	2-4	3-5	2-4	3-5	2-5	3-6	3-6	2-4	3-5
Cool Climate	1-2	2-3	3-4	2-3	3-4	2-4	3-5	3-5	2-3	3-4
Warranty (years) ^{8,9,10}	7	7	7	7	7	10	10	10	5	5
Gas Type	Natural Gas/Propane			Natural Gas/Propane		Natural Gas/Propane		Natural Gas	Natural Gas/Propane	
GAS Energy Rating	4.1	4.3	4.0	5.3	5.3	5.2	5.0	5.0	3.0	2.8
Storage Capacity (Litres)	90	135	170	130	160	130	160	155	135	170
Recovery Rate (L/Hour@45°C) Natural Gas	100	113	113	145	145	200	200	185	120	126
First Hour Capacity (Litres)	190	248	283	275	305	330	360	340	255	296
Hourly Gas Consumption (MJ/Hr) Nat/Prop	25/25	27/26	27/26	30/30	30/30	42/42	42/42	40	30/30	30/30
Dimensions mm										
A	1158	1558	1858	1622	1922	1600	1900	1625	1615	1915
B	422	422	422	422	485	485	485	520	485	425
C	502	502	502	556	556	558	558	610	500	500
D	588	988	1213	988	1213	988	1213	60	988	1213
E	328	328	403	328	409	328	409	333	328	403
F	298	298	298	298	298	298	298	360	297	297
G	1078	1478	1778	600	600	770	770	840	1490	1790
H (RheemPlus® Only)				545	545					
J (RheemPlus® Only)				182	182					
K	473	473	473	520	520	520	520	520	490	490
L	208	208	208	240	240	252	252	252	213	213
M				299	299	299	299	415		
N				93	93	93	93	52		
Weight Empty (kg)	48	59	69	75	85	70	80	65	54	63
Relief Valve Setting (kPa)		1400		1400		1400		1400	1400	
Expansion Control Valve Setting (kPa)		1200		1200		1200		1200	1200	
Max Water Supply Pressure:										
with ECV (kPa)		960		960		960		960	960	
without ECV (kPa)		1120		1120		1120		1120	1120	
Water Connections		RP ¾ / 20		RP ¾ / 20		RP ¾ / 20		RP ¾ / 20 F	RP ¾ / 20	
Water Connections (RheemPlus)				G¾B						
Gas Connection		RP ½ / 15		RP ½ / 15		RP ½ / 15		RP ½" flared compression	RP ½ / 15	



GLOSSARY OF TERMS

Recovery rate – the volume of water a heater can reheat in one hour. Measured as the volume of completely cold water (should the water heater be run completely out) that can be heated to 45°C over the cold water temperature.

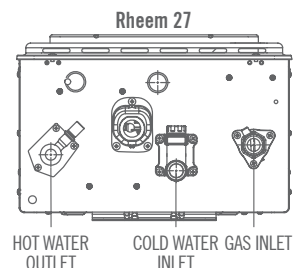
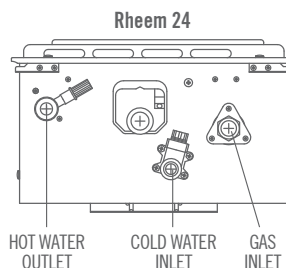
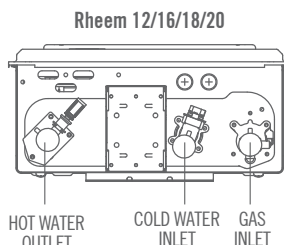
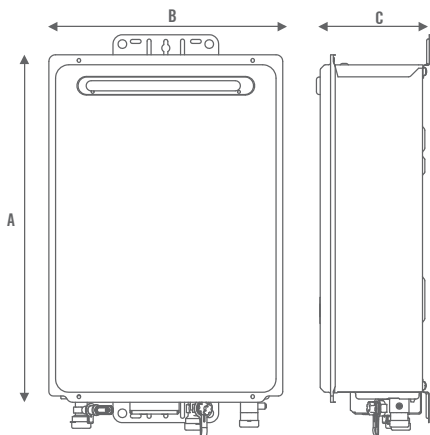
First Hour Capacity – a measure of water heater capacity that combines both the stored hot water volume & the hourly recovery rate (eg: if a water heater has storage capacity of 130L and a recovery rate of 200L/hour, its First Hour Capacity is 330L).

Warranty, terms and conditions

- Based on 45°C temperature rise.
- Guide only. Based on a cold water temperature of 15°C.
- 5 year cylinder warranty, 3 year labour on cylinder, 1 year parts and labour warranty on all other components for domestic (non-commercial) installations. Conditions apply, see the Rheem warranty set out in the product's Owner's Guide or view it at www.rheem.com.au/warranty
- 7 year cylinder warranty, 3 year labour on cylinder, 1 year parts and labour on all other components for domestic (non-commercial) installations. Conditions apply, see the Rheem warranty set out in the product's Owner's Guide or view it at www.rheem.com.au/warranty
- 10 year cylinder and SuperFlue warranty, 5 year labour on cylinder and SuperFlue, 1 year parts and labour warranty on all other components for domestic (non-commercial) installations. Conditions apply, see the Rheem warranty set out in the product's Owner's Guide or view it at www.rheem.com.au/warranty
- 10 year cylinder warranty, 1 year parts and labour on all other components for domestic (non-commercial) installations. Conditions apply, see the Rheem warranty set out in the product's Owner's Guide or view it at www.rheem.com.au/warranty
- Some applications require a tempering valve in accordance with AS/NZS 3500:4

RHEEM CONTINUOUS FLOW PRODUCT DATA

Model Number	Rheem 12		Rheem 16		Rheem 18		Rheem 20		Rheem 24		Rheem 27		Rheem Water Star
	876612	874612	876E16	874E16	876618	874618	876620	874620	875624	871E24	876627	874627	
Maximum Temperature °C	50	60	50	60	50	60	50	60	50	60	50	60	70
Number of Bathrooms	1 – 1.5		1 – 1.5		1 – 1.5		1.5 – 2		2 – 2.5		2.5 – 3		–
Gas Type	Natural Gas/Propane		Natural Gas/Propane		Natural Gas/Propane		Natural Gas/Propane		Natural Gas/Propane		Natural Gas/Propane		–
GAS Energy Rating	6 Stars		6 Stars		6 Stars		6 Stars		6 Stars		6 Stars		–
Flow Rate L/Min at 25°C Rise	12L/Min		16L/Min		18L/Min		20L/Min		24L/Min		27L/Min		–
Minimum Operating Flow Rate	2.7L/Min		2.7L/Min		2.7L/Min		2.7L/Min		2.7L/Min		2.0L/Min		–
Nominal Gas Consumption	94 MJ/Hr		126 MJ/Hr		140 MJ/Hr		153 MJ/Hr		188 MJ/Hr		205 MJ/Hr		–
Dimensions													
A - Height mm	520		520		520		520		565		600		565
B - Width mm	350		350		350		350		350		350		350
C - Depth mm	160		160		160		160		205		215		190
Depth – from wall to Hot Water Outlet	51		51		51		51		127		84		–
Depth – from wall to Cold Water Inlet	43		43		43		43		53		64		–
Depth – from wall to Gas Inlet	45		45		45		45		103		97		–
Weight (empty)	18kg		18kg		18kg		18kg		21kg		23kg		12.5Kg
Max. Water Supply Pressure	1000kPa		1000kPa		1000kPa		1000kPa		1000kPa		1000kPa		800kPa
Min. Water Supply Pressure	140kPa		140kPa		140kPa		140kPa		140kPa		140kPa		–
Cold Water Connection	R ¾ / 20		R ¾ / 20		R ¾ / 20		R ¾ / 20		R ¾ / 20		R ¾ / 20		R ¾ / 20
Hot Water Connection	R ¾ / 20		R ¾ / 20		R ¾ / 20		R ¾ / 20		R ¾ / 20		R ¾ / 20		R ¾ / 20
Gas Connection	R ¾ / 20		R ¾ / 20		R ¾ / 20		R ¾ / 20		R ¾ / 20		R ¾ / 20		–
Temperature Controllers													
Kitchen	299858		299850		299850		299850		299850		299850		–
Bathroom 1	299851		299851		299851		299851		299851		299851		–
Bathroom 2	299852		299852		299852		299852		299852		299852		–
Deluxe Temperature Controllers													
Kitchen	299858		299858		299858		299858		299858		299858		–
Bathroom 1	299859		299859		299859		299859		299859		299859		–
Bathroom 2	299860		299860		299860		299860		299860		299860		–
Accessories													
Pipe Cover	299841		299841		299841		299841		299848		299830		–
Recess Box	299842		299842		299842		299842		299842		299831		–
Rheem EZ Link Kit	290141		290141		290141		290141		N/A		290141		–
Wall Mount Security Kit	–		–		–		–		299868		299868		–
Security Cage	299867		299867		299867		299867		299867		299867		–
Power	–		–		–		–		–		–		240V AC



GLOSSARY OF TERMS

Flamesafe® – a Rheem safety protection feature that automatically shuts down the continuous flow water heater should a fault develop.

Q Factor™ – a Rheem feature that keeps the heater in readiness so hot water delivery is as fast as possible, and at consistent temperature.

Warranty, terms and conditions

- Guide only, subject to ambient water temperature and pressure, correct pipe sizing and appliance flow rates.
- 50°C factory pre-set models supply hot water at a maximum 50°C at all outlets in accordance with AS3498. Some applications may require tempering, refer to AS 3500:4. 60°C models must have a tempering valve installed in accordance with AS 3500:4
- Warranty Conditions: 10 Years parts and 3 Years labour on Heat Exchanger, 3 Years parts & labour on other components, when installed in a domestic dwelling. For all other installations,

the warranty period is 1 Year parts and labour on Heat Exchanger and other components. Conditions apply, see the Rheem warranty set out in the product's Owner's Guide or view it at www.rheem.com.au/warranty

- Rheem Water Star warranty: 5 year supply on cylinder, 3 year supply & labour on cylinder, 1 year full parts & labour. Conditions apply, see the Rheem warranty set out in the product's Owner's Guide or view it at www.rheem.com.au/warranty
- Applies to 70°C capable models when set to 70°C

RHEEM SOLAR PRODUCT DATA

RHEEM PREMIER® HILINE SOLAR HOT WATER HEATER - Electric and Gas boosted

MODEL - Electric Boosted MODEL - Gas Boosted	L	Vitreous Enamel Tank				Stainless Steel Tank			
		52C180/1NPT 52C180/1NPT-G		52C300/2NPT 52C300/2NPT-G		52H180/1S 52H180/1S-G		52H300/2S 52H300/2S-G	
Storage Capacity	L	180		300		180		300	
Solar Collectors		1		2		1		2	
Booster Type		Electric	Gas -remote	Electric	Gas -remote	Electric	Gas -remote	Electric	Gas -remote
Boost Capacity	L	90	27L/min	150	27L/min	90	27L/min	150	27L/min
People Per Household		1-2	1-3	2-5	2-5	1-2	1-3	2-5	2-5
Dimensions & Specifications									
Height (A)	mm	2475		2475		2490		2490	
Width (B)	mm	1575		2425		1495		2198	
Depth (C)	mm	510		510		563		563	
Weight Empty – Tank	kg	74		109		53		78	
Weight Full – Tank	kg	245		398		231		373	
Weight Empty – Solar Collectors	kg	33		66		48		96	
Weight Full – Solar Collectors	kg	35		70		52		104	

RHEEM HILINE® SOLAR HOT WATER HEATER

MODEL	L	Gas Boosted		Electric Boosted	
		52S160/1NPT-G	52S160/1NPT-G	52S160/1NPT	52S300/2NPT
Storage Capacity	L	160		300	
Solar Collectors	NPT200	1		2	
Booster Type		Gas – Remote		Electric	
Boost Capacity	L	24L/min		80	
People Per Household		1-3		1-2	
Dimensions & Specifications					
Height (A)	mm	2490		2490	
Width (B)	mm	1140		2200	
Depth (C)	mm	540		540	
Weight Empty – Tank	kg	70		100	
Weight Full – Tank	kg	230		400	
Weight Empty – Solar Collectors	kg	39		78	
Weight Full – Solar Collectors	kg	41		82	

RHEEM PREMIER® LOLINE SOLAR HOT WATER HEATER

MODEL	L	Gas Boosted				Electric Boosted	
		596270/1S-G 596270/1T-G	596270/2S-G 596270/2T-G	590270/1S-G 590270/1T-G	590270/2S-G 590270/2T-G	591270/2S 591270/2T	591270/3S 591270/3T
Storage Capacity	L	270		270		270	
Solar Collectors		1		2		3	
Booster Type		Gas – Integrated		Gas – Remote		Electric	
Boost Capacity	L	27L/min		27L/min		125	
People Per Household		2-5		2-5		1-3	
Dimensions & Specifications							
Height (A)	mm	1787	1787	1775	1775	1775	1775
Width (B)	mm	650	650	650	650	650	650
Depth (C)	mm	890	890	682	682	682	682
Cold In (D)	mm	772	772	377	377	377	377
Hot Out (E)	mm	772	772	1078	1078	1078	1078
Weight Empty – Tank	kg	165	165	145	145	146	146
Weight Full – Tank	kg	435	435	415	415	416	416
Weight Empty – Solar Collectors	kg	50	100	50	100	100	150
Weight Full – Solar Collectors	kg	54	108	54	108	108	162

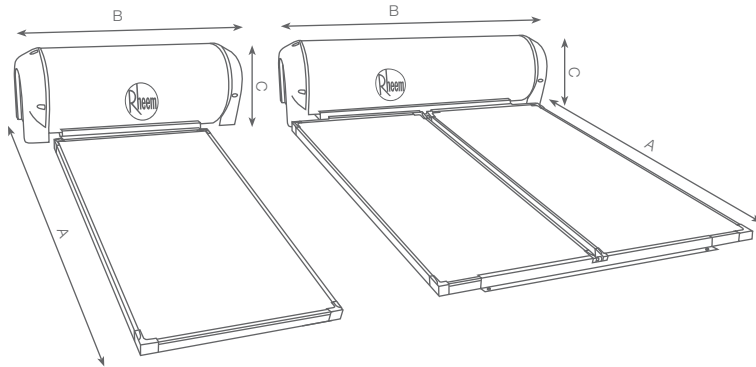
RHEEM LOLINE SOLAR HOT WATER HEATER

MODEL	L	Gas Boosted			Electric Boosted		
		511271/2NPT-G 511271/2LCS-G*	511325/2NPT-G 511325/2LCS-G*	511410/3NPT-G 511410/3LCS-G*	511271/2NPT 511271/2LCS*	511325/2NPT 511325/2LCS*	511410/3NPT 511410/3LCS*
Storage Capacity	L	270			410		
Solar Collectors		2			3		
Booster Type		Gas – Remote			Electric		
Boost Capacity	L	24L/min			140		
People Per Household		2-5			1-3		
Dimensions & Specifications							
Height (A)	mm	1395	1640	1840	1395	1640	1840
Width (B)	mm	640	640	690	640	640	690
Depth (C)	mm	680	680	730	680	680	730
Cold In (D)	mm	73	73	81	73	73	81
Hot Out (E)	mm	1117	1357	1519	1117	1357	1519
Weight Empty – Tank	kg	71	87	111	71	87	111
Weight Full – Tank	kg	341	412	521	341	412	521
Weight Empty – Solar Collectors	kg	78	78	117	78	78	117
Weight Full – Solar Collectors	kg	82	82	123	82	82	123

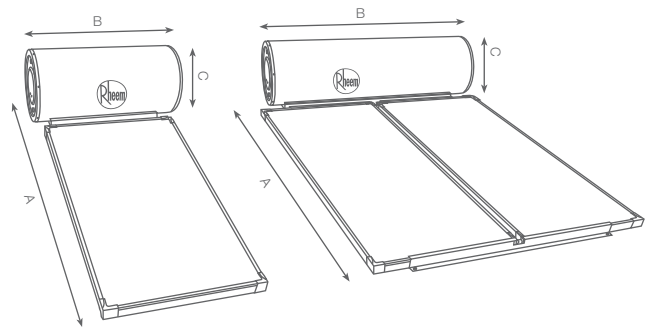
*LCS Collectors are only available for installation in zones 3 & 4.



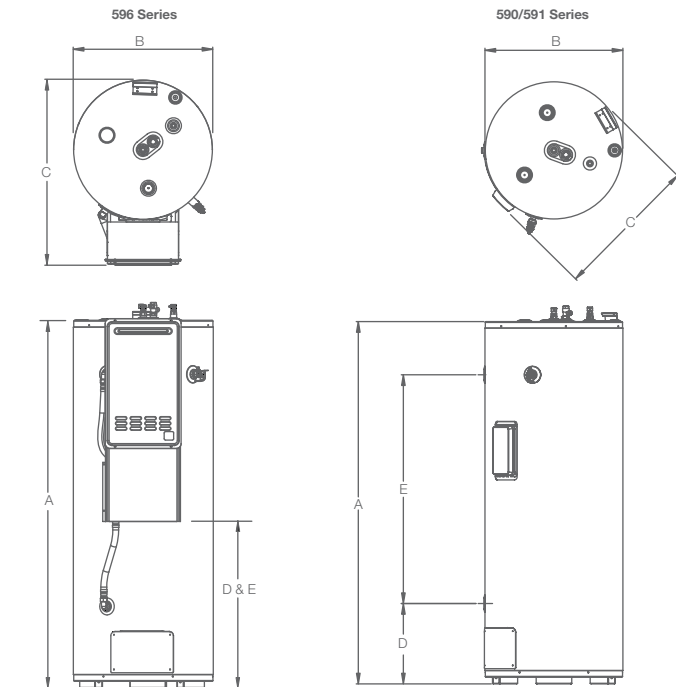
RHEEM PREMIER® HILINE SOLAR HOT WATER HEATER



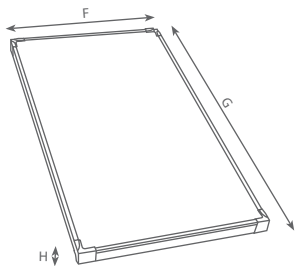
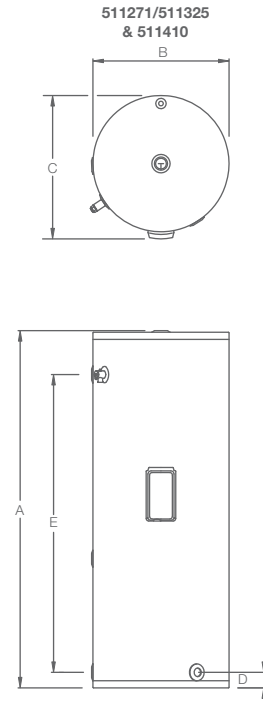
RHEEM HILINE® SOLAR HOT WATER HEATER



RHEEM PREMIER® LOLINE SOLAR HOT WATER HEATER



RHEEM LOLINE SOLAR HOT WATER HEATER



SOLAR COLLECTOR MODEL S200, T200, LCS, NPT200 Dimensions and Specifications	
Width (F) mm	1023
Height (G) mm	1941
Depth (H) mm	80



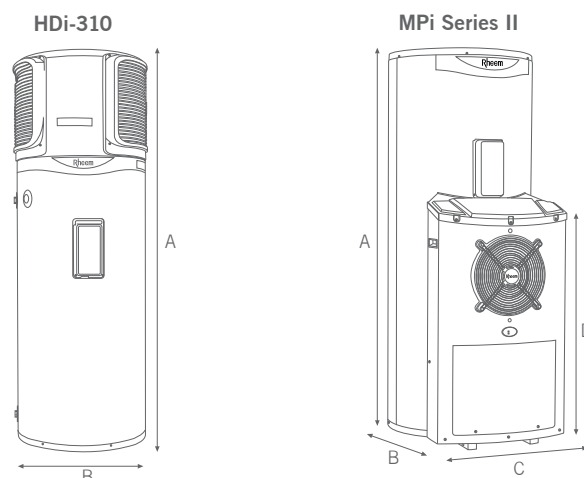
Warranty, terms and conditions

- Energy savings of up to 65% to 70% based on Australian Government Approved TRNSYS simulation modelling of a Rheem Loline with 2xNPT200 collectors and using a medium load in Zone 3 and apply when replacing an electric water heater.
- Rheem Premier® Loline/Loline/Hiline/Premier Hiline® (52C Models) 5 year supply on cylinder and solar collectors, 3 year labour on cylinder, 1 year labour on collectors, 1 year parts and labour. Applies to a single-family domestic dwelling installation only. Conditions apply, see the Rheem warranty set out in the product's Owners Guide or view it at www.rheem.com.au/warranty
- Rheem Premier® Hiline (52H Models) 7 year supply on cylinder, 5 year supply on solar collectors, 3 year labour on cylinder, 1 year labour on collectors, 1 year parts including labour. Applies to a single-family domestic dwelling installation only. Conditions apply, see the Rheem warranty set out in the product's Owners Guide or view it at www.rheem.com.au/warranty
- Greenhouse gas emission savings based upon installing a Rheem Loline Solar Hot Water heater with 2xNPT200 collectors in Zone 3, when replacing an electric water heater.
- Any financial savings will vary depending upon type of Rheem Solar system installed, orientation and inclination of the solar collectors, type of water heater being replaced, hot water consumption and fuel tariff. Maximum financial savings off your hot water bill are achievable when replacing an electric water heater on continuous tariff.
- Eligibility criteria apply. STC Incentive/benefit scheme is subject to change without notice.

RHEEM HEAT PUMP PRODUCT DATA

	HDi-310	MPi-325		MPi-410	
Product Code	551310	551325		551410	
RheemPlus®			554325		554410
Number of People (Moderate Climate)	3-6	2-5	2-5	2-6	2-6
Dimensions					
Height (mm)					
Module: D	N/A	1018	1018	1018	1018
Tank: A	1870	1631	1636	1842	1842
Width B (mm)					
	670	894	1006	961	1073
Depth C (mm)					
	679	638	638	686	686
Weight					
Heat Pump module (kg)	48	42	42	42	42
Tank (kg)	87	88	90	112	112
Technical					
Capacity (L)	310	325	325	410	410
Power input (Watts)	1300	800	800	800	800
Refrigerant	R134a	R134a	R134a	R134a	R134a
Element Sizes (kW)	2.4 or 3.6	1.8, 2.4 or 3.6	1.8, 2.4 or 3.6	2.4 or 3.6	3.6
Boost Capacity (L)	220	180	180	200	200
Water Connections & Settings					
Inlet (RP)	¾ / 20	¾ / 20	¾ / 20	¾ / 20	¾ / 20
Outlet (RP)	¾ / 20	¾ / 20	¾ / 20	¾ / 20	¾ / 20
Tank Relief Valve Setting (kPa)	1000	1000	1000	1000	1000
ECV Setting (kPa)	850	850	850	850	850
Maximum Mains Pressure					
With ECV (kPa)	680	680	680	680	680
Without ECV (kPa)	800	800	800	800	800
Min. Water Supply Pressure (kPa)	200	200	200	200	200

MPi-410 only recommended for Nth NSW & QLD.



Warranty, terms and conditions

24. The impact on an electricity account will depend on the tariff arrangement of the water heater being replaced and where you live. These Rheem Heat Pump water heaters (model dependant) are recommended for connection to either 24 hour continuous tariff or extended off peak (min 16 hours/day). Before purchase consult your energy provider for more information on cost comparisons.
25. Heat Pump warranty conditions. 5 year cylinder warranty, 3 year labour on cylinder, 2 year on sealed system including labour, 1 year on all other parts and labour. Applies to domestic installations only. Amended warranty may apply where a government rebate has been received for the solar water heater. Phone 131 031 for details. Conditions apply, see the Rheem warranty set out in the product's Owner's Guide or view it at www.rheem.com.au/warranty
26. Energy and greenhouse gas emissions reduction of up to 64% based on Australian Government Approved TRNSYS simulation modelling and apply when replacing an electric water heater with a Rheem Heat Pump water heater in Zone 3.
27. Assumes consumer eligibility for rebates. Eligibility criteria apply. Rebates and incentive schemes are subject to change or cancellation without notice.
28. Any financial savings will vary depending upon type of Rheem Heat Pump installed, type of water heater being replaced, hot water consumption and fuel tariff. Maximum financial savings off your hot water bill are achievable when replacing an electric water heater on continuous tariff.