




# RHEEM LOLINE® SOLAR WATER HEATER

	1 - 7	270 - 410 L	5 YEAR
SOLAR	PEOPLE (See Table)	CAPACITY	CYLINDER COLLECTOR (supply only) WARRANTY <sup>5</sup>



MODEL NO.  
511325/2NPT-G

## FEATURES

- **Visual Appeal** – split systems only require slimline collectors to be mounted on the roof and feature a ground mounted tank. This reduces structural load on your roof, and looks better too.
- **Available in 270L, 325L and 410L capacities** – a size for every application
- **Energy Efficient** – cuts energy use by up to 65% to 70%<sup>1,2</sup>
- Reduces greenhouse gas emissions
- Full Mains Pressure for multiple outlets simultaneously<sup>3</sup>
- Incorporates automatic electronic controls
- **Booster** – choice of electric element or 6-star gas boost back up to provide hot water in any weather condition
- Range of collector options to suit different climate zones. High performance selective surface collectors also available in zones 3 and 4.
- Eligible for STCs<sup>4</sup>
- 5 Year Warranty<sup>5</sup>

## HOW IT WORKS

Rheem Loline® Solar water heaters use roof mounted solar collectors to absorb heat energy from the sun, which is transferred to water stored in the tank at ground level. These efficient collectors help reduce the production of greenhouse gas emissions. And, to ensure you have hot water all year round, Rheem Loline® Solar water heaters can be electric or gas boosted, with automatic electronic controls.

## BOOSTER OPTIONS

The Rheem Loline® Solar water heater range is available with both in-tank electric, and 6-star continuous flow gas boosting. Boosting is a back-up feature that provides hot water during poor weather periods.

The electric boosted models provide boost volume dependant on tank size, with larger models designed to suit larger hot water loads. 511 series inline gas boosted models feature a 6-star 24L/min continuous flow gas booster, which only turns on to heat water when the water temperature flowing through it is less than 58°C. A 6-star 27L/min continuous flow gas booster is an ideal upgrade for households with a large demand for hot water.



MODEL NO.  
511271, 511325 & 511410/2NPT



COMES ON STEADY, HOT AND STRONG

INSTALL A

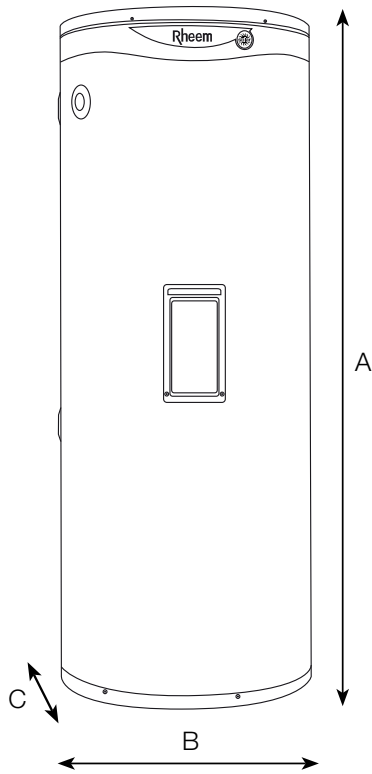




# RHEEM LOLINE<sup>®</sup> SOLAR WATER HEATER

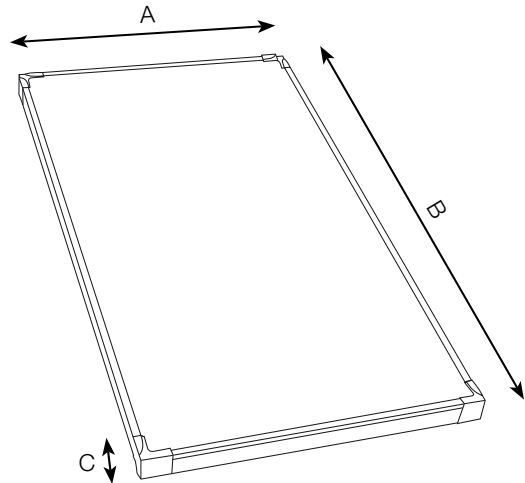
MODEL	GAS			ELECTRIC			
	511271/2NPT-G 511271/2LCS-G	511325/2NPT-G 511325/2LCS-G	511410/3NPT-G 511410/3LCS-G	511271/2NPT 511271/2LCS	511325/2NPT 511325/2LCS	511410/3NPT 511410/3LCS	
Storage Capacity	L	270	325	410	270	325	410
Solar Collectors		2	2	3	2	2	3
Booster Type		Gas – Remote	Gas – Remote	Gas – Remote	Electric	Electric	Electric
Boost Capacity	L	24L/min	24L/min	24L/min	140	170	220
People Per Household		2-5	2-6	3-7	1-3	2-4	3-6
<b>Dimensions &amp; Specifications</b>							
Height (A)	mm	1395	1640	1840	1395	1640	1840
Width (B)	mm	640	640	690	640	640	690
Depth (C)	mm	680	680	730	680	680	730
Weight Empty – Tank	kg	71	87	111	71	87	111
Weight Full – Tank	kg	341	412	521	341	412	521
Weight Empty – Solar Collectors	kg	78	78	117	78	78	117
Weight Full – Solar Collectors	kg	82	82	123	82	82	123

**511 Series  
270 – 410L**

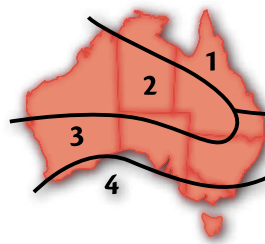


SOLAR COLLECTOR	A	B	C
NPT200, LCS	1023	1941	80

LCS Collectors only available for installation in zones 3 and 4.



## STCs



Small-scale Technology Certificates (STCs) are a financial benefit to encourage the installation of solar water heaters provided under a Federal Government legislated scheme.

This map shows the climate Zones within Australia which will define the number of STCs allocated to an approved solar water heater. Your installation may be eligible\*\*.

To claim your STC entitlement, simply complete the STC Assignment form. Visit [www.rheem.com.au/rebates](http://www.rheem.com.au/rebates) to download the STC Assignment form.

<sup>1</sup> Energy reduction of up to 65% to 70% based on Australian Government Approved TRNSYS simulation modelling of a Rheem Loline with 2 x NPT200 collectors and using a medium load in Zone 3 and apply when replacing an electric water heater with a Rheem solar Loline electric boosted water heater.

<sup>2</sup> Any financial savings will vary depending upon type of Rheem Solar system installed, orientation and inclination of the solar collectors, type of water heater being replaced, hot water consumption and fuel tariff. Maximum financial savings off your hot water bill are achievable when replacing an electric water heater on continuous tariff.

<sup>3</sup> Electric boost models only.

<sup>4</sup> Eligibility criteria apply.

<sup>5</sup> Warranty Conditions: solar tank – 5 years supply on cylinder and solar collectors, 3 years labour on cylinder, 1 year labour on solar collectors, 1 year supply and labour on other parts; continuous flow gas booster – 10 years supply on heat exchanger, 3 years labour on heat exchanger, 3 years supply and labour on other parts. Applies to a single-family domestic dwelling only. Conditions apply, see Rheem's warranty set out in the product's Owner's Guide or view it at [www.rheem.com.au](http://www.rheem.com.au). Phone 131 031 for details.

Materials and specifications are subject to change without notice.

<sup>®</sup> Registered Trademark of Rheem Australia Pty Ltd.

<sup>™</sup> Trademark of SAI Global.



Rheem Australia Pty Ltd.  
1 Alan Street, Rydalmere, New South Wales 2116, Australia  
PO Box 7508, Silverwater, New South Wales 2128, Australia.

