

Rheem Pipe Cover Kit

299841, 299848, 299830

3 - 5

PEOPLE

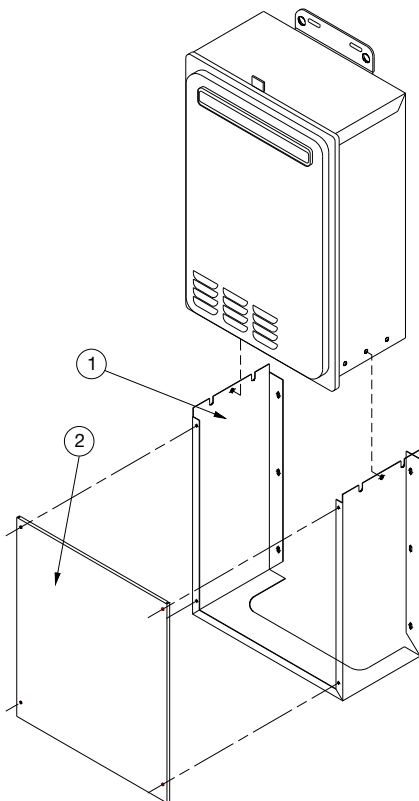
Indoor/
Outdoor

INSTALLATION

The Pipe Cover is to be installed after the Continuous Flow water heater has been installed. The pipe cover is designed to be installed underneath the water heater to cover the pipe work and valves, but cannot cover the external GPO.

The kit contains:

1. Pipe cover housing
2. Pipe cover access panel



Scan code for
details & installation
instructions



MODEL

299841 suitable for 12-20L/min
299848 suitable for 24L/min and 26L/min
299830 suitable for 27L/min