

Data Sheet

SNU 5S | SNU 10S Under Sink

Compact Point of Use Storage Water Heater

Save water and energy with a point of use hot water system

STIEBEL ELTRON

Technik zum Wohlfühlen



The advantages

- › Made in Germany
- › Open vented system (non-pressurised)
- › Anti-Drip function (SNU 5) stops dripping from the spout and saves energy & water
- › Thermostop function prevents unnecessary heating of the mixer tap & saves energy
- › Compact design for concealed & space saving under sink installation
- › No flue, ventilation or safe tray required
- › Ideal for a single point of use sink, minimises dead legs
- › Insulated design minimises heat losses, SNU 5 standing heat losses for 65°C water/20°C ambient air is a remarkable 0.2kWh over 24 hours
- › Rotary dial temperature selection up to 85°Celsius
- › Operates on standard GPO 10 Amp 240V
- › 2kW heating element
- › Available in two capacities:
 - › SNU 5S (5 litre)
 - › SNU 10S (10 litre)
- › Four styles of sink mixers available to suit the SNU
- › WaterMark approved licence number WMKA00301, AS3498

PLEASE NOTE:

- › The SNU under sink point of use water heater is open vented and must be installed with a Stiebel Eltron open vented tap.
- › Not suitable for installation at a basin as a tempering valve or TMV cannot be fitted with this water heater.



Ideal installation areas

- › Single kitchen sink
- › Alfresco/bar sink
- › Commercial factory sink or single kitchenette sink
- › Ideal for an isolated sink or a sink that takes a long time for hot water to arrive at the outlet

For more information on the right Stiebel Eltron water heater for your project please contact our Technical Services Department on free call 1800 153 351 (Australia).



MES Standard sink mixer



MEW Short spout sink mixer



MES-A Straight spout sink mixer



MES-G Gooseneck sink mixer

Data Sheet

SNU 5S | SNU 10S Under Sink

Compact Point of Use Storage Water Heater

Save water and energy with a point of use hot water system

STIEBEL ELTRON

Technik zum Wohlfühlen

POINT OF USE WATER HEATERS

Model number	SNU 5S	SNU 10S
Power output	2kW	2kW
Rated voltage	240 V	240 V
Rated current	10 Amp	10 Amp
Phases	1/N/PE	1/N/PE
Electrical installation	As per AS/NZS3000	
Installation requirements	AS/NZS3500.4.2 & local requirements	
Type of installation	Under sink	Under sink
Capacity	5 Litres	10 Litres
Mixed water volume at 40°C from single draw off	10 Litres	19 Litres
Standby energy consumption / 24 hours at 65°C	0.2 kWh	0.32 kWh
Permissible operating pressure	500kPa	500kPa
Temperature selection	up to 85°C	up to 85°C
IP Rating	IP24	IP24
Height	421 mm	503 mm
Width	263 mm	295 mm
Depth	230 mm	275 mm
Weight (filled with water)	8.1 kg	15 kg
Colour	white	white
Approvals	WaterMark Lic No. WMKA00301. AS3498	

Equipment

For one draw off point only	Yes	Yes
ECO economy setting	60°C	60°C

OPEN VENTED SINK MIXERS SUITABLE FOR USE WITH THE SNU

PLEASE NOTE: The SNU under sink point of use water heater is open vented and must be installed with a Stiebel Eltron open vented tap.

Model number	MES	MEW	MES-A	MES-G
WELS rating	4 star	4 star	4 star	4 star
Maximum flow rate	7 L/min	7 L/min	7 L/min	7 L/min

Selecting the right Stiebel Eltron compact storage water heater

Thank you for considering the Stiebel Eltron compact storage water heater, with over 90 years of hot water technology experience we are sure you will be happy with your choice of a Stiebel Eltron compact storage water heater.

Our customer support representatives can be contacted on our free call number 1800 153 351 to assist in selecting the appropriate system/systems for your project.

Installation close to the point of use

The Stiebel Eltron SNU compact point of use storage water heaters compact design allows for ease of installation close to the point of use. In order to minimise thermal losses in the pipe work the water heater should be installed as close to the point of use as possible.

Electrical installation

This water heater must be installed in accordance with AS/NZS3000 electrical regulations by a qualified installer.

Plumbing installation

This water heater must be installed in accordance with AS/NZS3500.4.2 and local authority regulations by a qualified installer.

Warranty

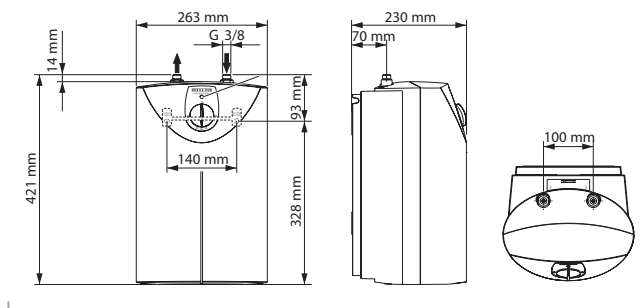
For full warranty information please visit www.stiebel.com.au.

Technical Support

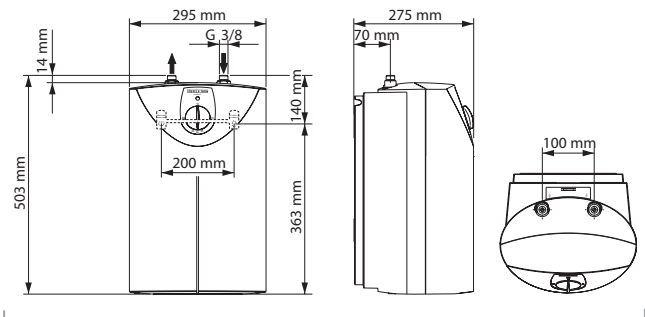
Stiebel Eltron (Aust) Pty Ltd
Free Call (Australia): 1800 153 351
Telephone: (03) 9645 1833
Website: stiebel.com.au



SNU 5S under sink compact storage water heater



SNU 10S under sink compact storage water heater



STIEBEL ELTRON is committed to our policy of continual improvement, some features may have subsequently been changed or even removed. Our advisors will be happy to consult with you regarding the currently applicable equipment features. The images used in this brochure are for reference only.