

# DUX WATER HEATERS

HOT WATER SOLUTIONS PRODUCT GUIDE



# AN ICONIC BRAND

An iconic Australian brand since 1915, Dux is committed to producing high quality water heaters and to the on-going development of new products for the Australian market.

Dux water heaters are manufactured in a state-of-the-art facility in regional NSW, using a Quality Endorsed Company production system. This ensures that customers have purchased the highest quality water heater available.

Dux is proudly owned by Noritz, an international hot water powerhouse and a leading Japanese manufacturer of residential and commercial water heaters.



Moss Vale, NSW



Akashi, Japan



# proflo® for homes of all sizes

TOUGH BUT STYLISH HOT WATER SYSTEMS THAT WILL GO THE DISTANCE.

If you're looking to replace an existing electric storage water heater, Proflo is an ideal solution - available in a variety of tank sizes for homes of all sizes and delivering full mains pressure.

## PROFLO 25L & 50L

- Proflo 50L now boasts a compact 670mm height, making it an easier fit into tight cupboards
- V-Fit plumbing connections provide better access for easier installation
- Available as hardwired or plug-in models
- Made in a Noritz manufacturing facility
- 7 years tank warranty, 1 year parts and labour\*

## PROFLO 80L - 400L

- 80L - 400L Proflo water heaters now boast a larger anode to increase tank life
- Features durable Y class commercial grade enamel
- Hard-wearing, tough polymer base resists damage and is rust-proof
- Feature 50mm thick, dense foam insulation for less heat loss and lower running costs
- Twin element models available
- Made in Australia
- 10 years tank warranty, 1 year parts and labour\*

## RANGE FEATURES

- Water connections on both sides of the tank
- Screwless tank lids offer a cleaner appearance and are safer too
- Low maintenance and long service life
- Full flow pressure to all outlets
- Can be installed indoors or out#

CAPACITY	NO. OF ADULTS & CHILDREN	
	Continuous Tariff	Off Peak
25L	1	
50L	2	
80L	3	
125L	4	
160L	4	3
250L	6	4
315L	7	5
400L	8	6

Adult icon can represent dishwasher or washing machine.  
 Continuous Tariff; Provides power so that your water can be heated at any time of the day or night.  
 Off Peak; Generally only provides power to your water heater for between 6-12 hours a night - check with your local electricity retailer for details of off-peak hours.  
 #Plug in models can only be installed indoors.



SO MANY SIZES FOR HOT WATER YOU CAN'T GO WRONG.

# prodigy® 4 & 5 star gas storage

**NO EXTRA SPACE NEEDED TO INSTALL AN EFFICIENT PRODUCT.**

Gas storage hot water systems give you full mains pressure with a constant, strong stream of hot water.

If you're looking to replace an existing gas storage water heater, Dux Prodigy is an ideal solution. The range consists of both 4 and 5 star models that feature identical dimensions to older 3 star units, allowing easy replacement with higher efficiency models.

## PRODIGY 4 STAR

- Market leading in hot water recovery and first hour capacity†
- Dual anodes to further increase tank life
- 7 years tank warranty, 1 year parts and labour\*

## PRODIGY 5 STAR

- Easy installation, with water connections on both sides of the tank
- Patented flue damper design reduces heat loss
- 10 years tank warranty, 5 years parts and labour on flue damper, 1 year other parts and labour\*

## RANGE FEATURES

- Powerful burner technology means faster recovery rates and more hot water when you need it
- Features durable Y class commercial grade enamel
- Identical footprint with older 3 star gas storage water heaters
- Mains pressure hot water
- Inline foam filling process provides superior insulation and a more robust design
- No power point required so hot water continues, even when there is no power
- Operates on a standard size ½" gas line
- Available in both natural gas and propane models
- Made in Australia

Both Prodigy 4 and 5 star gas storage models feature the same footprint as existing 3 star gas storage water heaters, allowing easy replacement of older systems.



FIRST HOUR CAPACITY	STORAGE CAPACITY	RECOVERY RATE (L/hr)	FIRST HOUR CAPACITY
Prodigy 4 & 5	135L	122L	257L
Prodigy 4 & 5	170L	145L	315L

	CAPACITY (L)	PEOPLE	
<b>prodigy</b>	135		3-6
<b>prodigy</b>	170		4-7

Adult icon can represent dishwasher or washing machine.

**NEW AND IMPROVED TECHNOLOGY MAKES THE DIFFERENCE**

† In the 4 star gas storage class.



PRODIGY 4 STAR



135L

170L

PRODIGY 5 STAR



135L

170L

# gas continuous flow

## HOT WATER THAT NEVER RUNS OUT.

Never run out of hot water again with a Dux Always Hot continuous flow. They are compact in size, highly energy efficient and are backed by a 12 year heat exchanger warranty.

Available in four different capacities and even the option of dual heat exchanger models<sup>†</sup> for greater running cost savings. There's a model to suit every family.

### NON-CONDENSING MODELS

- Available in 17L, 21L, 26L and 32L/min models
- Up to 6.1 star energy rating
- Single copper heat exchanger for efficient heating

### CONDENSING MODELS

- Available in 21L and 26L/min models
- Up to 6.7 star energy rating
- Dual heat exchanger design that boasts over 90% thermal efficiency by capturing additional heat

### RANGE FEATURES

- Never runs out of hot water
- Superior technology straight from Noritz, a leading manufacturer of continuous flow water heaters
- Electronic ignition means no standby pilot light
- Natural gas and LPG models
- 12 year warranty on heat exchanger, including 3 year full parts and labour\*



Dux Always Hot provides the choice between high performance (non-condensing) and ultra-high performance (condensing) continuous flow models.

SIZING	MODELS			
	17L	21L	26L	32L
No. of Outlets	2	2-3	3	4

## ACCESSORIES



Accessories include separate controllers that allow you to select the hot water temperature you prefer – a welcome safety and convenience feature for families.

Optional accessories include:

- Pipe covers
- Recess boxes
- Anti-theft kit
- Flue diverters

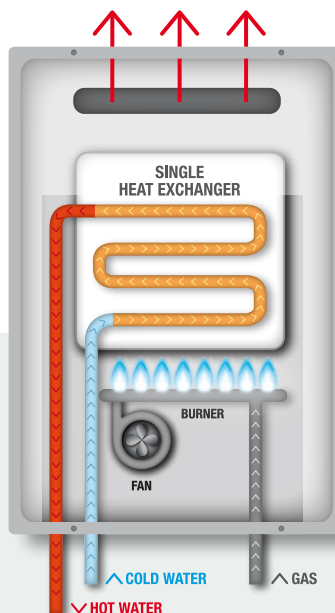
See Accessories Specification brochure on [www.dux.com.au](http://www.dux.com.au) for part numbers.

## HOT WATER ON DEMAND WHEN YOU NEED IT

### NON-CONDENSING

Water passes through a single copper heat exchanger and the energy from the exhaust gas is wasted.

EXHAUST TEMPERATURE IS APPROX 200°C

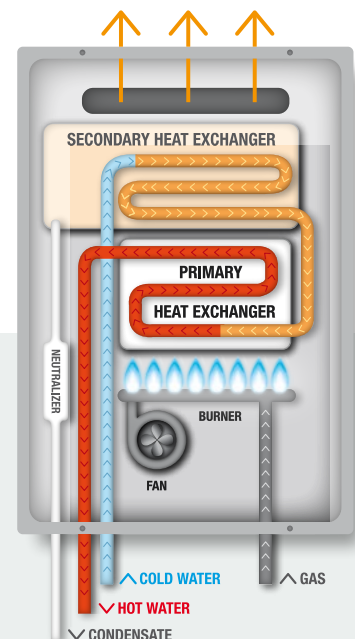


(Conventional technology)  
Thermal efficiency = 80-84%

### CONDENSING

Once water is heated in the primary heat exchanger, it's heated again in a secondary heat exchanger using the heat from the exhaust gas, reducing wasted energy and lowering the exhaust temperature.

EXHAUST TEMPERATURE IS ONLY 50°C



(Condensing technology)  
Thermal efficiency = 90-96%

<sup>†</sup>21ECB & 26ECB models are rated 6.7 stars. 21ENB models are rated 6.1 stars. 17ENB & 26ENA models are rated 6.0 stars. 32END models are rated 5.8 stars.

<sup>‡</sup>21ECB & 26ECB are condensing models featuring dual heat exchangers.

# airoheat® *air-sourced heat pump*

**POWERFUL, EFFICIENT AND KINDER TO THE ENVIRONMENT.**

If your home doesn't offer suitable roof space and orientation for installing solar collectors, Airoheat is the next best choice in environmentally friendly water heaters, without the need for solar panels.

Working like a refrigerator but in reverse, it takes air in from outside the tank and uses it to heat water. Its patented in-tank heating coil is fully immersed in water, ensuring direct heat transfer. This eliminates exposure to heat loss issues often associated with other styles of heat pumps.

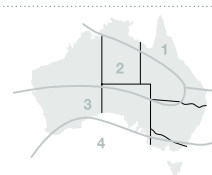
- High efficiency design for lower running costs
- Single piece, integrated design allows for faster installation
- Dual anodes provide greater protection against tank corrosion
- Powerful compressor for greater heating capacity
- Patented in-tank, dual wall heating coil to improve heat transfer
- Improved thermal efficiency minimises heat loss due to a fully insulated storage tank
- Water connections on both sides of tank provide easy installation
- Composite condensation tray is designed for rapid drainage in high rainfall areas
- Eligible for Small-scale technology certificates
- 5-year tank warranty, 2-year refrigerant components, 1-year full parts and labour\*



airoheat® heatpump		
CAPACITY (L)	PEOPLE	
250		3-5

Adult icon can represent dishwasher or washing machine.

PRODUCT CODE: D2FHG4HW0C	STC ZONE*				
	1	2	3	4	5†
250L HEAT PUMP	22	21	26	27	27†



†Refer to [www.dux.com.au/zones](http://www.dux.com.au/zones) for postcodes in Zone 5.

STC values are subject to change without notice and are correct at time of printing. STCs calculations are based on continuous tariff. Size figures are based on environmental averages which can effect the performance of solar and heat pump heaters. Adult icon can represent dishwasher or washing machine. Based on connection to continuous tariff.

**AUSTRALIA'S MOST HIGHLY AWARDED ENVIRONMENTAL WATER HEATER**

# ecosmart® *free energy from the sun*

## OUTSTANDING EFFICIENCY TO HELP REDUCE ENERGY BILLS.

If you're aiming to reduce your carbon footprint, choose an Ecosmart solar water heater. Ecosmart solar uses the sun's energy to heat water via roof mounted solar collectors. Available in a choice of electric or gas boosted models, ensuring hot water on cloudy days or in times of high demand.

Ecosmart solar will save you money on energy bills, providing an economical, sustainable hot water solution for years to come.

- Split system design provides flexible installation locations without the need for expensive roof reinforcement
- Available in electric or gas boosted models
- Multi-temperature sensors on a vitreous enamel tank configuration enable optimum solar gain while reducing the risk of overheating
- High performance solar collectors ensure efficient transfer of heat to water
- European manufactured circulating pump and smart system controller
- Efficient, polyurethane insulated storage tank
- Features durable Y class commercial grade enamel and a larger anode to increase tank life
- Supplies mains pressure hot water
- Eligible for Small-scale technology certificates (STCs)
- 7-year tank, 5 year collector warranty, 1-year parts and labour\*



ELECTRIC BOOSTED

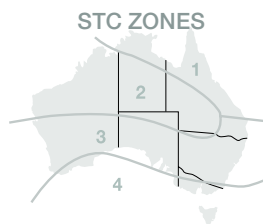


GAS BOOSTED

### MAKES SENSE... SAVES \$\$\$\$

You can trade your STCs to earn a discount of approx \$1,300\* off the cost of your new solar water heater.

Dux Ecosmart solar water heaters boast one of the highest number of STCs, meaning you'll save more with Dux.



CAPACITY	ELECTRIC BOOST	GAS BOOST
250L	2-4	2-5
315L	3-5	2-6
400L	4-7	4-8

Adult icon can represent dishwasher or washing machine.

<b>electric boosted solar</b>			STC ZONE*			
	COLLECTORS		1	2	3	4
250L	D2M36F202	2	39	43	38	34
315L	D3M36F202	2	40	43	39	34
315L	D3M36F203	3	44	46	46	41
400L	D4M36F202	2	39	43	38	34
400L	D4M36F203	3	44	46	46	41

<b>gas boosted solar</b>			STC ZONE*			
	COLLECTORS		1	2	3	4
250L	D2F20226N	2	38	42	38	33
315L	D3F20226N	2	38	42	38	33
315L	D3F20326N	3	44	45	46	41
400L	D4F20226N	2	38	42	38	33
400L	D4F20326N	3	44	45	46	41

STC values are subject to change without notice and are correct at time of printing. STCs calculations are based on continuous tariff. Size figures are based on environmental averages which can affect the performance of solar and heat pump heaters. Adult icon can represent dishwasher or washing machine. Based on connection to continuous tariff.

\*Calculation references STC eligibility in zone 3 (38) and STC valuation of \$35 per STC

## INVIGORATING HOT WATER IN ANY KIND OF WEATHER

# PROFLO<sup>®</sup> ELECTRIC STORAGE

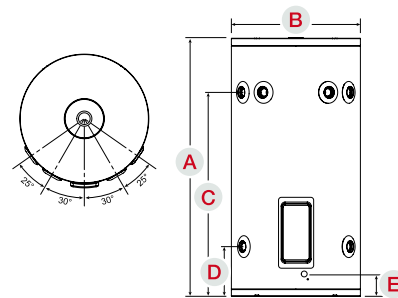
## proflo small electric

SPECIFICATIONS	25S124P <sup>^</sup>	25S1	50S124P <sup>^</sup>	50S1
Storage Capacity (L)	31	31	50	50
Hot Water Delivery (L)	25	25	50	50
Net Weight Empty (kg)	17	17	23	23
Element Sizes (kW)	2.4	2.4, 3.6	2.4	2.4, 3.6
Relief Valve Pressure (kPa)	1000	1000	1000	1000
Max Inlet Pressure (kPa)	800	800	800	800

<sup>^</sup> Proflo Plug-in model (plugs into standard power point)

### TANK DIMENSIONS (MM)

	25L	50L
<b>A</b> Overall Height	455	670
<b>B</b> Overall Diameter	405	405
<b>C</b> Hot Water Outlet	275	490
<b>D</b> Cold Water Inlet	145	145
<b>E</b> Electrical Entry	70	70



## proflo large electric

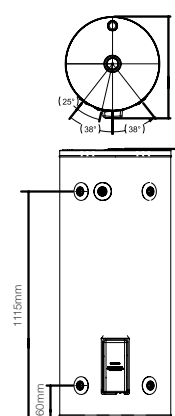
SPECIFICATIONS	80T1	125X1 NARROW DIAMETER	125T1	160T1	250T1	315T1	315T2 TWIN ELEMENT	400T1	400T2 TWIN ELEMENT
Storage Capacity (L)	88	132	130	161	259	321	321	415	415
Hot Water Delivery Rating (L)	80	125	125	160	250	315	315	400	400
Twin Element Boost Capacity (L)	-	-	-	-	-	-	50	-	80
Element Sizes (kW)	1.8, 2.4, 3.6	1.8, 3.6	1.8, 3.6	2.4, 3.6	3.6	3.6	2 x 3.6 or 2 x 4.8	3.6	2 x 3.6
Net Weight Empty (kg)	41	54	51	59	72	93	93	115	115
Relief Valve Pressure (kPa)	1400	1400	1400	1400	1000	1000	1000	1000	1000
Max Inlet Pressure (kPa)	1120	1120	1120	1120	800	800	800	800	800

All Dux proflo water heaters are dual-handed for ease of installation and operate at 240V AC single phase electricity supply.

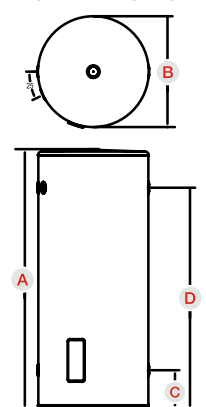
### TANK DIMENSIONS

	80L	125L NARROW DIAMETER	125L	160L	250L	315L	400L
<b>A</b> Overall Height (mm)	925	1300	1090	1315	1445	1765	1705
<b>B</b> Overall Diameter (mm)	490	490	530	530	620	620	705
<b>C</b> Cold Water Inlet (mm)	160	160	190	190	195	195	220
<b>D</b> Hot Water Outlet (mm)	735	1115	865	1095	1210	1530	1445

#### 125L NARROW DIAMETER SPECIFICATIONS



#### 80L - 400L STANDARD MODELS

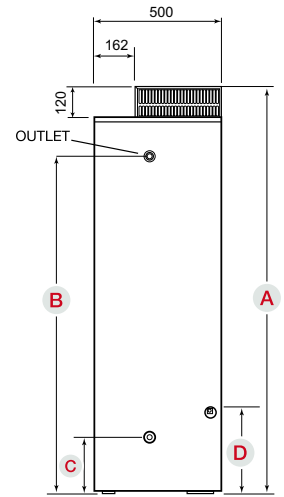




# PRODIGY<sup>®</sup> GAS STORAGE

SPECIFICATIONS	prodigy <sup>4</sup>		prodigy <sup>5</sup>	
	135ZB4N/135ZB4P	170ZB4N/170ZB4P	135DB5N/135DB5P	170DB5N/170DB5P
Nominal Capacity (L)	135	170	135	170
Net Weight Empty (kg)	72	86	73	87
Relief Valve Pressure (kPa)	1400	1400	1400	1400
Gas Consumption (Propane) (MJ/h)	26	32	26	32
Gas Consumption (NG) (MJ/h)	28	33	28	33
Energy Star Rating	4.5	4.2	5.3	5.3

TANK DIMENSIONS (MM)	135L	170L
A Overall Height Outdoor	1600	1900
B Hot Water Outlet	1325	1620
C Cold Water Inlet	220	220
D Gas Inlet	300	300

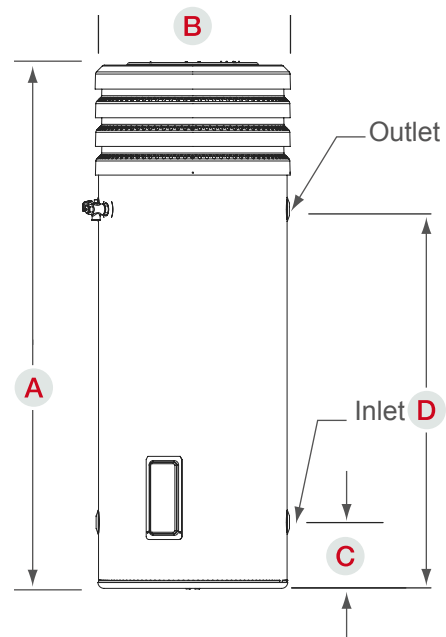


# AIROHEAT<sup>®</sup> HEAT PUMP SYSTEM

SPECIFICATIONS	airoheat
	D2FHG4HW0C
Storage Capacity (L)	250
Net Weight Empty (kg)	107
Power Consumption (General Tariff - kW)	1.2
Max Water Supply Pressure (kPa)	800
Relief Valve Pressure (kPa)	1000
Rated Voltage	240V ac

Not suitable for installation in alpine areas or areas above 1000m.

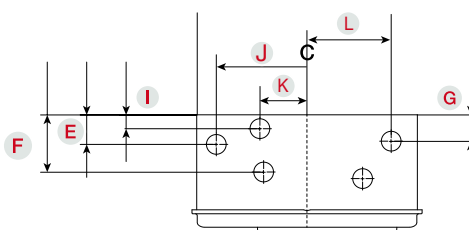
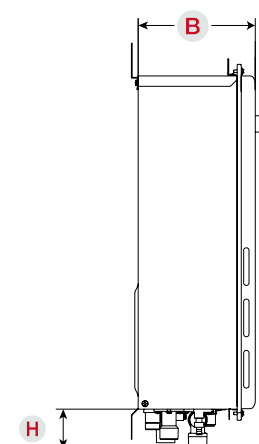
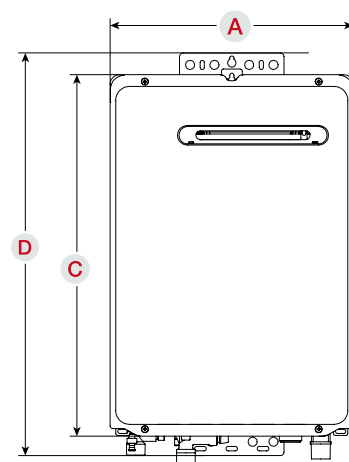
TANK DIMENSIONS (MM)	
A System Height	1710
B System Width	660
C Inlet	195
D Outlet	1210



# ALWAYS HOT GAS CONTINUOUS FLOW

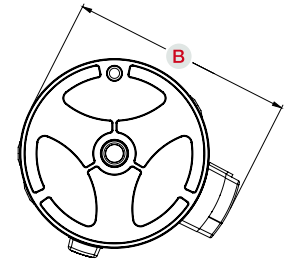
MODELS	CONDENSING MODELS			NON-CONDENSING MODELS		
Model Number - up to 50°C	21ECB5N / 21ECB5L	26ECB5N / 26ECB5L	17ENB5N / 17ENB5L	21ENB5N / 21ENB5L	26ENA5N / 26ENA5L	32END5N / 32END5L
Model Number - up to 60°C	21ECB6N / 21ECB6L	26ECB6N / 26ECB6L	17ENB6N / 17ENB6L	21ENB6N / 21ENB6L	-	-
Model Number - up to 75°C	-	-	-	-	26ENA6N / 26ENA6L	32END6N / 32END6L
Flow Rate (l/min @ 25° rise)	21	26	17	21	26	32
Min Operating Flow Rate (l/min)	2.4	2.4	2.4	2.4	2.4	2.0
Gas Consumption MJ/h - NG	145	175	125	159	200	250
Gas Consumption MJ/h - LPG	149	185	130	158	200	250
Star Rating	6.7	6.7	6.0	6.1	6.0	5.8
Gas Type	NG or LPG	NG or LPG	NG or LPG	NG or LPG	NG or LPG	NG or LPG
Weight (kg)	17	18	14	15	22	30
Max water supply pressure (kPa)	1000	1000	1000	1000	1000	1000
Min water supply pressure (kPa)	200	200	200	200	200	200
Cold Water Connection	20mm ¾"	20mm ¾"	20mm ¾"	20mm ¾"	20mm ¾"	20mm ¾"
Hot Water Connection (mm)	20mm ¾"	20mm ¾"	20mm ¾"	20mm ¾"	20mm ¾"	20mm ¾"
Gas Connection (mm)	20mm ¾"	20mm ¾"	20mm ¾"	20mm ¾"	20mm ¾"	20mm ¾"
Flue Diverter Horizontal Part No.	CF-S37	CF-S37	CF-L39	CF-L38	CF-L18	CF-L7
Flue Diverter Upward Part No.	-	-	-	-	-	CFC28
Recess Box	RBM3	RBM3	RBM3	RBM3	RBM3	RBM5
Pipe Cover	CF-H33-K600	CF-H33-K600	CF-H33-K600	CF-H33-K600	CF-H33-K600	CF-H32-K450

DIMENSIONS (MM)	CONDENSING MODELS		NON-CONDENSING MODELS			
	21L/min	26L/min	17L/min	21L/min	26L/min	32L/min
Model						
<b>A</b> Width	350	350	350	350	350	450
<b>B</b> Depth	170	170	170	170	170	240
<b>C</b> Height - Unit	520	520	520	520	600	615
<b>D</b> Height - Including Brackets	575	575	575	575	655	665
<b>E</b> Hot Water Outlet (From Back)	45	45	40	40	40	70
<b>F</b> Cold Water Inlet (From Back)	87	87	80	80	97	140
<b>G</b> Gas Connection (From Back)	40	40	40	40	40	87
Gas Connection Length (From Base)	50	50	50	50	49	49
<b>H</b> Cold Connection Length (From Base)	48	48	48	48	48	48
Hot Connection Length (From Base)	45	45	45	45	44	44
<b>I</b> Drain Outlet (From Back)	21	21	N/A	N/A	N/A	N/A
<b>J</b> Hot Water Outlet (From Centre)	138	138	131	131	131	60
<b>K</b> Drain & Cold Water Outlet (From Centre)	63	63	24	24	54	119
<b>L</b> Gas Connection (From Centre)	128	128	128	128	100	100

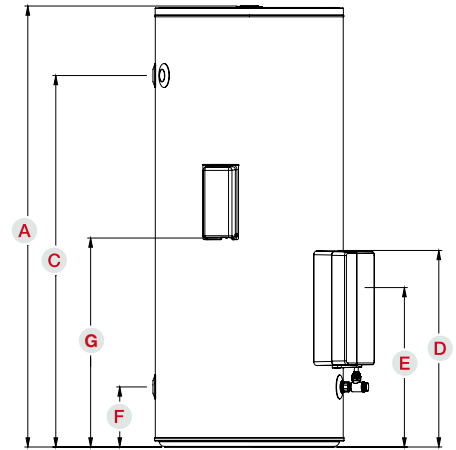


# ECOSMART<sup>®</sup> BOOSTED SOLAR

TANK SPECIFICATIONS	250L	315L	400L
ELECTRIC BOOSTED MODEL	250DPM36	315DPM36	400DPM36
GAS BOOSTED MODEL	250DP0	315DP0	400DP0
Storage Capacity (L)	258	323	420
Element Boost Capacity (L) - Electric only	120	146	230
Net Tank Weight Empty (kg)	72	92	116
Relief Valve Pressure (kPa)	1000	1000	1000
Max Inlet Pressure (kPa)	800	800	800



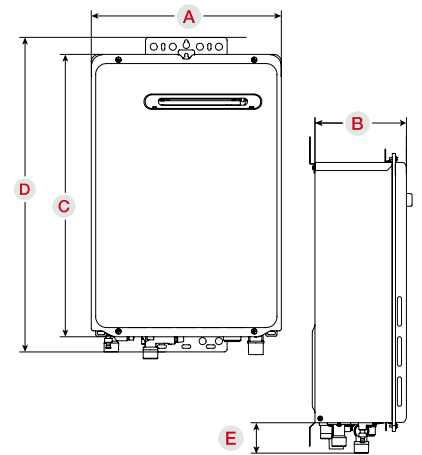
TANK DIMENSIONS (MM)	250L	315L	400L
A Tank Height	1440	1760	1700
B Tank Diameter	730	730	820
C Outlet Height	1210	1530	1445
D Solar Return Height	640	845	645
E Pump Outlet Height	520	520	545
F Inlet Height	195	195	220
G Electrical Entry Height (Electric only)	680	880	695



## GAS BOOSTER SPECIFICATIONS

BOOST SPECIFICATIONS	
Gas Continuous Flow	26L/min
Gas Consumption (MJ/Hr)	200
Gas Type	Natural / LPG
Cold Water Socket Size (mm)	RP $\frac{3}{4}$ "/20
Gas Pipe Inlet Size (mm)	RP $\frac{3}{4}$ "/20
Relief Valve Pressure (Kpa)	1000
Weight (kg)	22

DIMENSIONS (MM)	
A Width	350
B Depth	170
C Height - Unit	600
D Height - Including Brackets	655
Gas Connection Length (From Base)	49
E Cold Connection Length (From Base)	48
Hot Connection Length (From Base)	44



## SOLAR COLLECTORS

PANEL SPECIFICATIONS	FSA20
Total Area (m <sup>2</sup> )	2
Weight Without Water (kg)	35
Glass Thickness (mm)	3.2
Glass Material	Low iron tempered textured glass
Absorber Material	Black chrome, selective surface (aluminium plate)
Copper Rises	8

PANEL DIMENSIONS (MM)	
Panel Height	2000
Panel Width	1000
Panel Depth	95



.....

**100**  
**YEARS**  
MANUFACTURING  
**IN AUSTRALIA**

1300 365 116

**dux.com.au**

## \*WARRANTY

Full warranty terms and conditions are in the product's Owners Manual, visit [www.dux.com.au/warranty-terms](http://www.dux.com.au/warranty-terms) for full details and conditions which apply.

Sales: 1300 365 116 Service: 1300 365 115 or visit [dux.com.au](http://dux.com.au) for more.

© 2020 Dux Manufacturing Limited ABN 19 077 879 844. Lackey Rd, PO Box 209 Moss Vale, NSW 2577.

The information supplied was correct at time of printing. Specification and materials may change without notice.

® and ™ Trademarks of Dux Manufacturing Limited.

JULY 2020