

NEW



RENEWABLE HOT WATER



365 DAYS A YEAR

RHEEM LEADING INNOVATIVE
HEAT PUMP TECHNOLOGY



**AMBIHEAT
SIDEVENT
HEAT PUMP**

PLATINUM SERIES



A Greater Degree of Good™ represents our global commitment to sustainability.



COMES ON STEADY, HOT AND STRONG

INSTALL A



NEW

RHEEM HEAT PUMP

Rheem Heat Pump water heaters are an energy efficient, affordable way to heat water. Heat Pumps use the heat from the surrounding air to heat your water and help reduce your water heating energy consumption compared to an electric water heater. They work all year round, day or night, in sunshine or rain and even on cooler days, as there is always heat in the atmosphere which can be used.

FEATURES

- No need for solar collectors - perfect where roof space is limited
- Can use the same connections as an electric water heater
- Ideal upgrade from a standard electric water heater
- Vitreous Enamel lined tank
- Saves energy compared to an electric water heater
- Includes a back-up element, delivering hot water, for the coldest winter nights



WORKS DAY & NIGHT

Heat Pumps draw heat from the surrounding air to heat the water



BACK-UP ELEMENT

Provides hot water even in very cold conditions



COP OF 4.5kW

Coefficient of Performance (COP)¹ of 4.5 making Model 551270 a highly efficient water heater to help reduce energy consumption



FROST PROTECTED

Suitable for cold and frost climates

**CONTINUOUS
RENEWABLE
HOT WATER
NO MATTER IF
CLOUDY, RAIN
OR SHINE**

**HEAT PUMP EXTRACTS
HEAT FROM THE
SURROUNDING AIR**

**1 kW
POWER
INPUT**

**4.5 kW
ENERGY INTO
WATER HEATING**



RENEWABLE HOT WATER 365 DAYS A YEAR RHEEM AMBIHEAT SIDEVENT HEAT PUMP

RHEEM AMBIHEAT HDc-270 270L HEAT PUMP

The AMBIHEAT HDc-270 Heat Pump is a smart, energy efficient alternative for areas where a traditional solar water heater may not be suitable. It uses the heat from the surrounding air, to heat your water and provides a reliable, efficient and sustainable way to reduce your water heating energy consumption. A Heat Pump works day and night as it extracts heat from the surrounding air and doesn't rely on direct sunlight to operate.

- Advanced wrap around microchannel heating technology for uniform and faster water heating
- Suitable for cold climates with an operating range from -5°C to higher ambient temperatures⁵
- Suitable for harsh water conditions²
- Save up to 68% on your water heating energy consumption compared to an electric water heater in Zone 3³
- High recovery rate for fast heating and 2.4kW back-up element
- User-friendly touch screen LED display
- Eligible for Government Incentives
- 7 year cylinder warranty⁴
- Suitable for 2 to 5 people

MODEL	551270
Tank capacity (litres)	270
Type of tank	Vitreous Enamel lined
Suitable for climate ⁵	Tropical, Temperate and Cold climates
Frost protected	✓
Suitable for harsh water ²	✓



Model: 551270



ENAMEL COATING

Reduce the risk of corrosion



SMART LED CONTROLLER DISPLAY

A bright interactive LED touchscreen display putting control at your fingertips



MICROCHANNEL TECHNOLOGY

Provide a larger contact area for faster heating



DURABLE TOP COVER

With its durable ABS and ASA* top cover, the unit can easily withstand all weather conditions



SIDE FAN DESIGN

Design specially developed to protect the unit from heavy rain

* Acrylonitrile Butadiene Styrene (ABS) is an opaque thermoplastic and amorphous polymer and Acrylonitrile Styrene Acrylate (ASA), also called Acrylic Styrene Acrylonitrile, is an amorphous thermoplastic with improved weather resistance



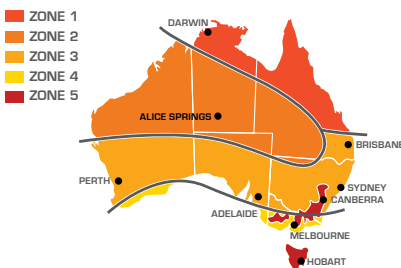
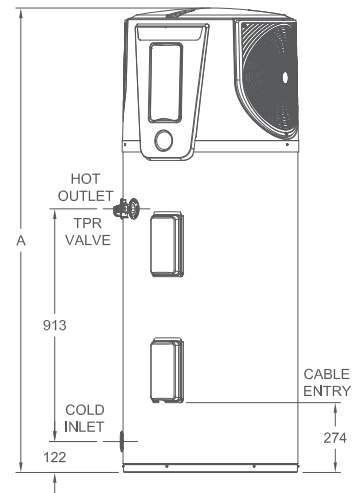
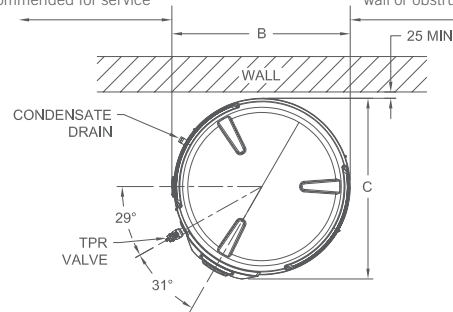
RENEWABLE HOT WATER 365 DAYS A YEAR RHEEM AMBIHEAT SIDEVENT HEAT PUMP

PRODUCT INFORMATION

MODEL	UNIT	HDC-270
System		551270
Storage capacity	litres	270
Boost capacity	litres	195
Rated heat pump power input	watts	985
Element rating	kW	2.4
Coefficient of Performance (COP) ¹		4.5
People per household		2 to 5
Dimensions & Specifications		
Heater height (A)	mm	1825
Heater width (B)	mm	730
Heater depth (C)	mm	760
Heater weight - Empty	kg	136
Heater weight - Full	kg	306
Refrigerant		R134a
Water Connections & Settings		
Inlet		RP 3/4
Outlet		RP 3/4
Temp press relief valve setting	kPa	1000
Expansion control valve	kPa	850
Maximum Mains Supply Pressure		
With expansion control valve	kPa	680
Without expansion control valve	kPa	800

350mm minimum distance (parallel to rear wall) air inlet to wall or obstruction. 900mm minimum recommended for service

1000mm minimum distance (parallel to rear wall) air outlet to wall or obstruction



STCs

Small-scale Technology Certificates (STCs) are a financial benefit to encourage the installation of heat pump water heaters provided under a Federal Government legislated scheme.

This map shows the climate Zones within Australia which will define the number of STCs allocated to an approved solar water heater. Your installation may be eligible.

For more information on STCs visit www.rheem.com.au/rheem/help/offers-and-incentives/stcs

- Testing at ambient temperature: 19°C/15°C (Dry Bulb/Wet Bulb) and ambient temperature from 15°C to 55°C for water heater operation.
- Warranty limits regarding water chemistry. Harsh water regions – the Rheem warranty may not apply if the water heater is connected to a water supply which: has a Chloride content >250mg/L; a pH <6.0 or >9.5; has a Total Dissolved Solids content >600mg/L; is scaling with a Saturation Index >+0.8, or; is corrosive with a Saturation Index <-1.0.
- Energy savings of up to 64% to 71% are based on Australian Government approved TRNSYS simulation modelling using a medium load and apply when replacing an electric water heater with a Rheem 551270 Heat Pump water heater. Energy savings of up to and between 64% to 71% in Zone 1 to 5 on hot water energy consumption when replacing an electric water heater (min 16 hours/day). Any savings will vary depending upon your location, type of water heater being replaced, hot water consumption and fuel tariff. Zone 1 - 71.2%, Zone 2 - 93.9%, Zone 3 - 68.5%, Zone 4 - 65.5% and Zone 5 - 64.1%
- Warranty Periods: 7 years supply on cylinder, 3 years labour on cylinder, 3 years on sealed system including labour, 1 year supply and labour on all other parts. Applies to single family domestic dwelling only. Conditions apply. See the Rheem warranty set out in the Owner's Guide and Installation Instructions or view at www.rheem.com.au/warranty.
- The specified -5°C to 43°C temperature range limits the unit's heat pump operations, the electric boost element takes over the heat pump operation when the ambient temperature falls outside of this temperature range.



A Greater Degree of Good™ represents our global commitment to sustainability.

Rheem Australia Pty Ltd.

1 Alan Street, Rydalmere, NSW 2116 Australia
PO Box 7508, Silverwater NSW 2128 Australia
www.rheem.com.au

® Registered Trademark of Rheem Australia Pty Ltd.
™ Trademark of SAI Global.