



RHEEM ECLIPSE®

CONTINUOUS FLOW
ELECTRIC WATER HEATER



Fast hot water
delivery of your
desired temperature

INSTALL A



NEW

RHEEM ECLIPSE®

3 PHASE ELECTRIC INSTANTANEOUS
HOT WATER APPLICATIONS



ELECTRIC



RAPID TEMP
RESPONSE



ADJUSTABLE
TEMP DISPLAY



FLEXIBLE & FAST
INSTALLATION



SMALL
FOOTPRINT

Designed for residential apartments and commercial buildings with fast temperature delivery

FAST DELIVERY OF YOUR DESIRED TEMPERATURE

Precise modulation of heating elements combined with temperature and flow sensors delivers hot water faster than other comparable water heaters.

THREE MEMORY MODES

Quick access to pre-set child safe or bath temperatures with touch screen display. Desired temperatures for memory modes can be adjusted via display options.

50°C AND 60°C MAXIMUM TEMPERATURE

Both 18kW and 27kW models are available in 50°C and 60°C max. output temperatures to suit site requirements.

50°C models can be installed without any further tempering in accordance with AS/NZS 3500.4 Includes trade adjustability for desired temperature at the tap in accordance with AS3498.

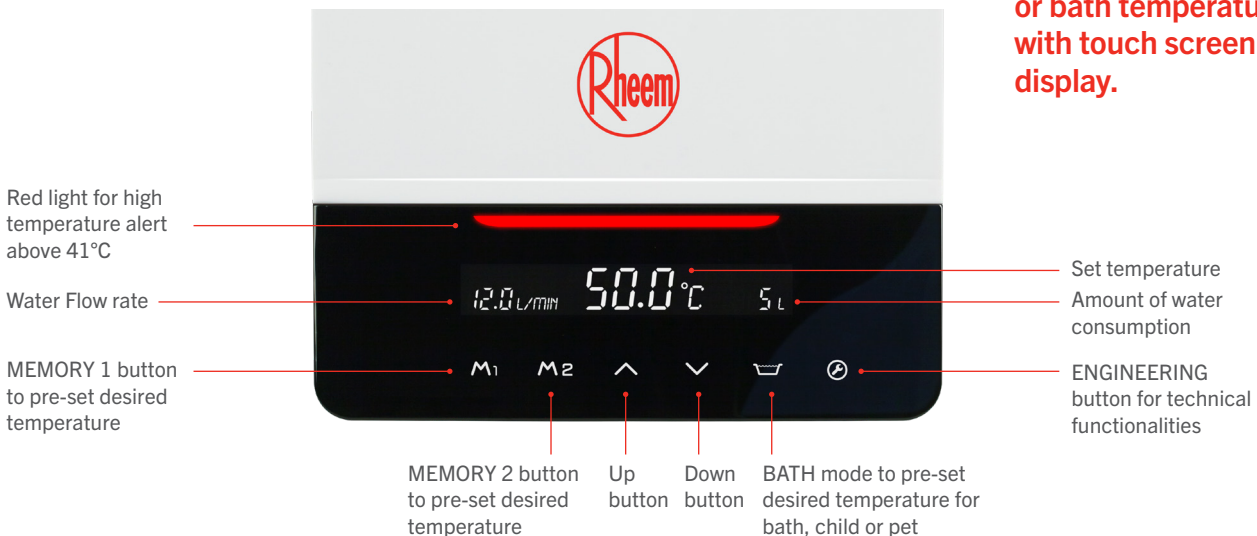
MORE KEY FEATURES

- Available in 18kW and 27kW 3 phase models
- Low activation flow rate to suit low flow tapware and high ambient temperatures
- Flexible installation options with inlet and outlet fittings and electrical connection concealed through the wall or from the bottom of the water heater

- Display of water consumption and flow rate on touch screen
- Automatic sleep mode for energy savings



Quick access to pre-set child safe or bath temperatures with touch screen display.



COMES ON STEADY, HOT AND STRONG



Applications with Rheem Eclipse models

RESIDENTIAL APARTMENTS

Rheem Eclipse provides peace of mind with AS3498 approved pre-tempered 50°C models for bathrooms and 60°C models for kitchen and laundry. 18kW models can be used for a single bathroom or 27kW models for the entire apartment reducing capital cost and spatial requirements.

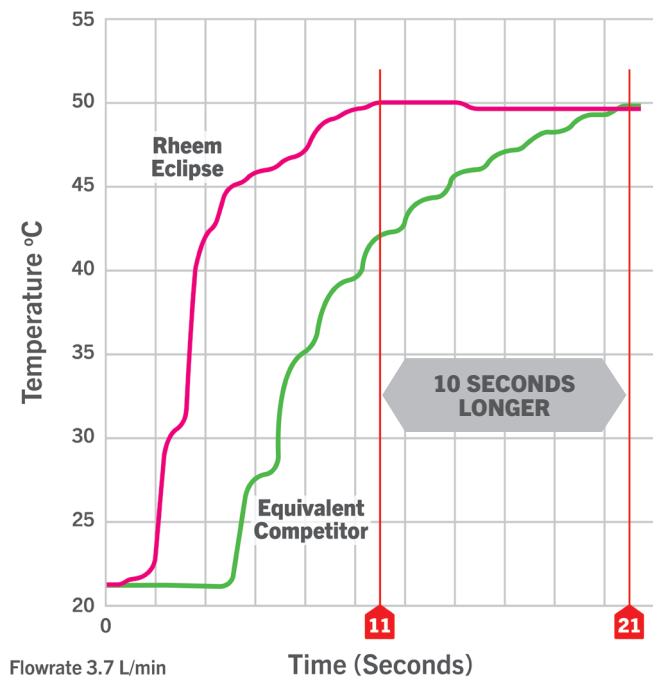
OFFICE BUILDINGS

A pre-tempered 50°C model for office bathroom and 60°C model for kitchen and cleaners sink ensure convenience with reduction of energy and water use.

The 60°C model with appropriate temperature limiting device will be suitable for all applications.

Fast temperature delivery - saving time and water

RHEEM ECLIPSE 27kW 50°C MODEL VS COMPETITOR EQUIVALENT PRODUCT



FAST HOT WATER DELIVERY OF YOUR DESIRED TEMPERATURE

RHEEM ECLIPSE®				
PRODUCT NAME	18kW 50°C WATER HEATER	18kW 60°C WATER HEATER	27kW 50°C WATER HEATER	27kW 60°C WATER HEATER
MODEL NUMBER	6C318500A	6C318600A	6C327500A	6C327600A
Electrical Connection	380 - 415V, AC 3 Phase 3 wire and earth, 50Hz			
Rated Power (kW)	18	18	27	27
Amps/phase	26	26	37.6	37.6
Maximum Flow Rate ²	7.4 – 7.7 L/min ¹		12 L/min	
Water Connection	G1/2 Elbow / R1/2 Straight			
Minimum Activation Flow Rate	2.8 L/min			
Minimum Water Supply Pressure	100 kPa			
Maximum Water Supply Pressure	750 kPa			
Pressure Drop at 7 L/min	115 kPa			
Pressure Drop at 12 L/min	280 kPa			
Minimum Water Resistivity	≥800Ω.cm			
Element Nos	3	3	4	4
Element Material	Ni80Cr20			
Temperature Control Range	30 – 55°C ³	30 – 60°C	30 – 55°C ³	30 – 60°C
IP Rating	IP25			

SIZING GUIDE – BASED ON LOCATION/CLIMATE⁴

Cold Water Temperature	Less than 15°C	15°C & Above
Recommended Products	All 27kW Water Heaters	All 18kW & 27kW Water Heaters
Recommended Model Numbers	6C327500A 6C327600A	6C318500A 6C318600A 6C327500A 6C327600A

To determine the flow rate capacity of the water heater to meet a given temperature rise at 415V power supply, apply the following formula:

$$\text{Flow rate (L/min)} = \frac{\text{kW Capacity} \times 14.3}{(\text{water heater set point} - \text{cold water temperature})}$$

Example:
27kW unit producing 50°C with 15°C cold water
Flow rate = $27 \times 14.3 / (50 - 15) = 11 \text{ L/min}$

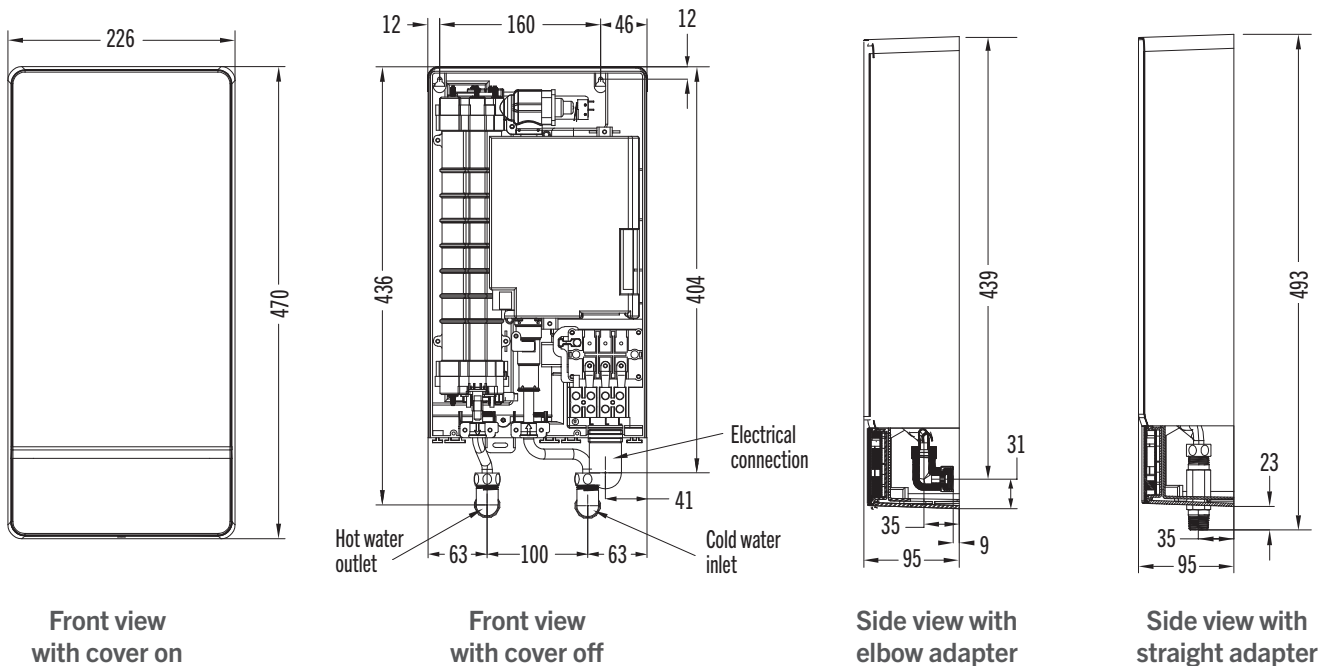
Note: this is the maximum flow rate passing through the water heater to meet the set point for the given cold water temperature. Total flow rate at fixtures depends on the fixture flow rates and mixed water temperatures.

¹ With Flow Regulator fitted at Dynamic Supply Pressure 500kPa

² At Dynamic Supply Pressure 500kPa

³ Temperatures above 50°C are trade adjustable to allow for heat losses in accordance with AS3498

⁴ Sizing recommendation based on incoming cold water supply with water heater producing set temperature for a 9 L/min shower set at 42°C with 415V ac power supply. Deviations in cold water temperature, set point, mixed water temperature, flow rate and voltage will alter the capacity of the unit to meet demand.



Rheem Australia Pty Ltd

Head Office
1 Alan Street Rydalmere
NSW 2116 Australia

Postal
PO Box 7508 Silverwater
NSW 2128 Australia

Rheem Sales
call 132 552

Rheem Service
call 131 031

www.rheem.com.au

® Registered Trademark of Rheem Australia Pty Ltd
™ Trademark of SAI Global



* 5 year parts and labour warranty when used in a residential application.
1 year parts and labour warranty when used in a commercial application.
For full terms and conditions please contact Rheem or see Owner's Guide
and installation instructions available at www.rheem.com.au/warranty