

Oros 750



HIGH NATURAL
MINERAL CONTENT



NON-POROUS
STAIN RESISTANT



RESISTANT TO HIGH
TEMPERATURES



SCRATCH AND
IMPACT RESISTANT



HYGIENIC
EASY TO CLEAN

Collection: Fusion



Arqstone sink — Engineered stone — Strong, durable, natural

Arqstone sinks, made in Europe from natural quartz, are extremely tough and resistant to high temperatures, scratching and stains. The high density stone surface is easy to clean and the smooth finish ensures a high level of hygiene.

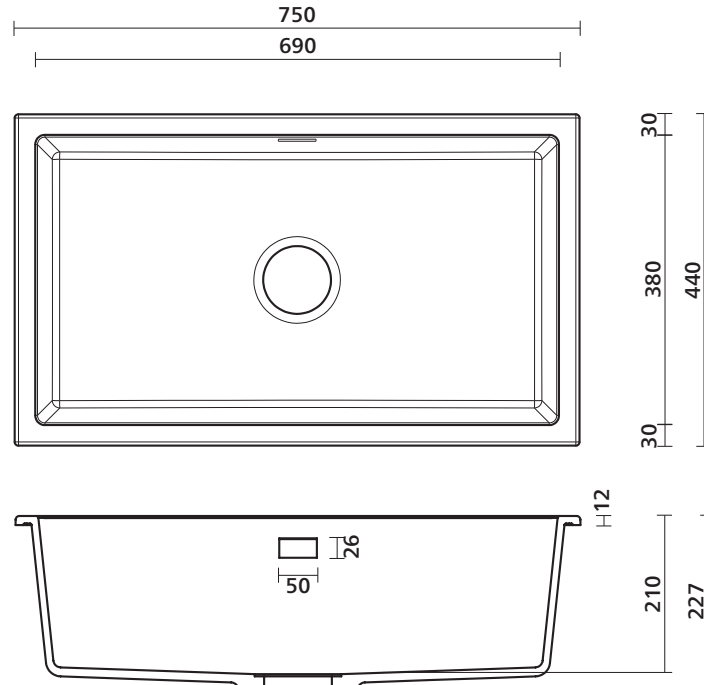
- Square lines, smooth finish, made from pure natural quartz aggregate
- Suits undermount or abovemount installation
- Exceptionally strong and durable
- Deep, large capacity bowl, easy to clean corners, 10mm radii
- Stainless steel basket waste


Order codes

191035 Oros 750 – White
191037 Oros 750 – Black

Product details

SUMMARY Single bowl with integrated overflow
COLOURS Available in Arqstone white and black
OVERFLOW Integrated overflow
WASTE 90 mm stainless steel basket waste
SIZE 690 x 380 mm, 210 mm deep, rim 30 mm
CAPACITY 34 litres capacity to overflow exit point



 Sink has integrated overflow

SEIMA

kitchen + laundry + bathroom ware

seima.com.au

Please note

- All measurements are in millimetres.
- Stone sinks – Dimensions are subject to normal manufacturing variations of ± 3 mm.
- Always use the actual product to verify cutout.
- Use silicone sealant. Do not use epoxy type adhesives.
- Specifications may vary without notice as part of our continuous improvement practices.



Find out more
about Arqstone