

Oros 620



Collection: Fusion



Arqstone sink — Engineered stone — Strong, durable, natural

Arqstone sinks, made in Europe from natural quartz, are extremely tough and resistant to high temperatures, scratching and stains. The high density stone surface is easy to clean and the smooth finish ensures a high level of hygiene.

- Square lines, smooth finish, made from pure natural quartz aggregate
- Designed for abovement installation, can be undermounted
- Exceptionally strong and durable
- Deep, large capacity bowl, easy to clean corners, 10mm radii
- Stainless steel basket waste

Order codes

WHITE

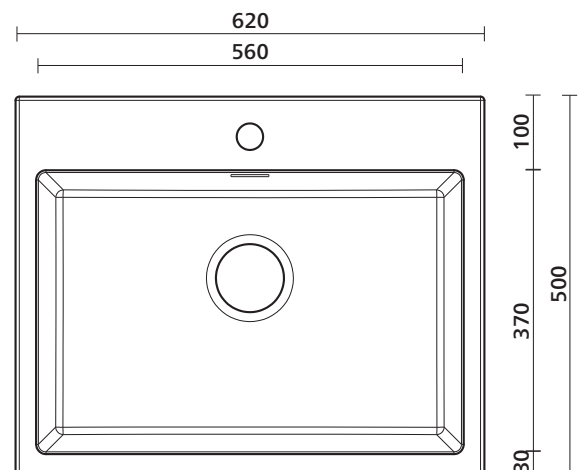
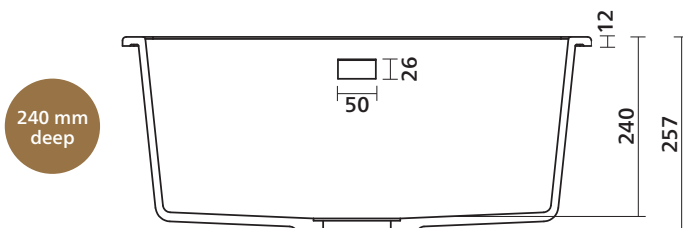
- 191984 Oros 620 – White, 1 taphole
- 191985 Oros 620 – White, 3 tapholes
- 191986 Oros 620 – White, no taphole


BLACK

- 191987 Oros 620 – Black, 1 taphole
- 191988 Oros 620 – Black, 3 tapholes
- 191989 Oros 620 – Black, no taphole

Product details

COLOURS	Available in Arqstone white and black
TAPHOLES	0, 1 or 3 tapholes
OVERFLOW	Integrated overflow
WASTE	90 mm stainless steel basket waste
SIZE	560 x 370 mm, 240 mm deep, rim 30 mm
CAPACITY	34 litres capacity to overflow exit point



 Sink has integrated overflow

SEIMA

kitchen + laundry + bathroom ware

seima.com.au

Please note

- All measurements are in millimetres.
- Stone sinks – Dimensions are subject to normal manufacturing variations of ± 3 mm.
- Always use the actual product to verify cutout.
- Use silicone sealant. Do not use epoxy type adhesives.
- Specifications may vary without notice as part of our continuous improvement practices.



Find out more
about Arqstone